

## SUBMITTAL SHEET

JOB NAME \_\_\_\_\_ ITEM TAG \_\_\_\_\_

JOB LOCATION \_\_\_\_\_ PART NUMBER \_\_\_\_\_

CONTRACTOR \_\_\_\_\_ DATE \_\_\_\_\_

ENGINEER APPROVAL \_\_\_\_\_ DATE \_\_\_\_\_

# LEAD-FREE MULTI-TURN DUAL OUTLET CHROME SUPPLY STOPS

## T-587NL and T-587PNL

Lead-free design is suitable for all no-lead potable water installations, in full compliance of all lead-free plumbing laws.

Compact, lead-free brass body is machined from a single piece of barstock, providing the highest level of durability and strength.

Thermoplastic stems resist scale and debris build-up better than metallic stems, even in hard water conditions.

Each stop is individually packaged, preventing connection component loss and protecting the stop from contamination.

Available in seven configurations, including compression, PEX and FNPT inlet connections.

- Third-party tested and certified in compliance with U.S. Federal Public Law 111-380 (National lead-free plumbing law).

- Certified to ANSI / NSF Standard 61-G.

- End connections conform to:  
ANSI / ASME B1.20.1 (FNPT)  
ASTM F1807 (PEX barb)

- Manufactured in an ISO accredited facility



**Pictured:**  
**Model T-587NL FNPT**

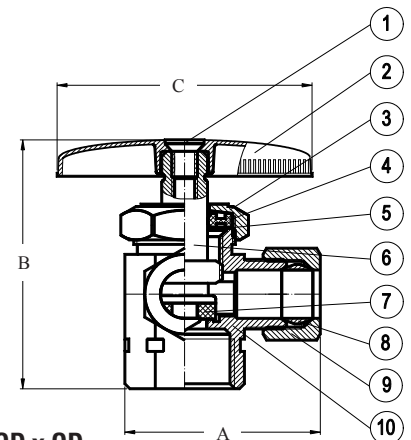


### Working Pressure, Non-Shock (PSI)

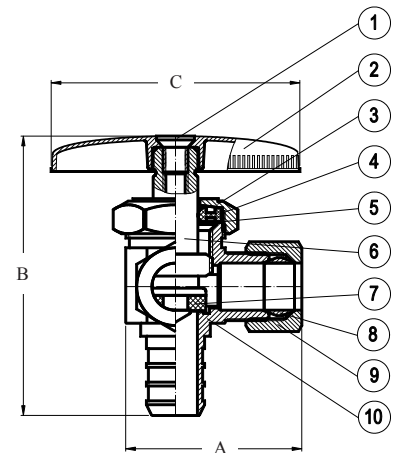
Cold working pressure (CWP): 110 p.s.i.  
Saturated Steam: Not suitable for steam service

### MATERIAL SPECIFICATION

PART	MATERIAL	SPECIFICATION
1 Handle screw	Chrome plated brass	JIS 3260 UNS C2600W
2 Handle	Chrome plated die-cast brass	ASTM Z30A Copper alloy #858
3 Bonnet	Chrome plated forged brass	UNS Alloy C37700
4 Stem Packing	EPDM rubber	Commercial grade, NSF approved
5 Anti-friction washer	Acetal copolymer	Celcon® M90 resin
6 Stem	Acetal copolymer	Celcon® M90 resin
7 Set Washer	EPDM rubber	Commercial grade, NSF approved
8 Compression ferrule	Forged brass	UNS Alloy C27700
9 Compression nut	Chrome plated forged brass	UNS Alloy C37700
10 Body	Lead-free chrome plated forged brass	UNS Alloy C46400



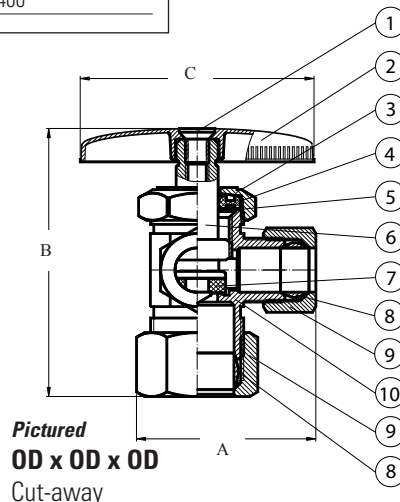
**Pictured**  
**FNPT x OD x OD**  
Cut-away



**Pictured**  
**PEX x OD x OD**  
Cut-away

### DIMENSIONS

Size	A	B(closed)	C
<b>(Inlet x Outlet x Outlet)</b>	-	-	-
3/8" FNPT x 3/8" OD x 3/8" OD	1.43	1.99	2.00
1/2" FNPT x 3/8" OD x 3/8" OD	1.55	1.97	2.00
5/8" OD x 3/8" OD x 3/8" OD	1.55	2.31	2.00
1/2" FNPT x 3/8" OD x 1/2" OD	1.62	2.01	2.00
1/2" FNPT x 3/8" OD x 1/4" OD	1.55	1.97	2.00
5/8" OD x 3/8" OD x 1/4" OD	1.55	2.31	2.00
1/2" PEX x 3/8" OD x 3/8" OD	1.43	2.19	2.00



**Pictured**  
**OD x OD x OD**  
Cut-away