

## SUBMITTAL SHEET

JOB NAME		ITEM TAG
JOB LOCATION		PART NUMBER
CONTRACTOR	DATE	
ENGINEER APPROVAL	DATE	

# HOSE BIBB VACUUM BREAKER

## T-555

Female x Male garden hose thread connections.  
Automatic vacuum interruption prevents back siphonage.  
Breakaway set screw for tamper-resistant installation.  
Durable, corrosion and impact resistant resin construction.  
Not for continuous pressure installations.

**Working Pressure, Non Shock (PSI)**  
Cold Working Pressure (CWP) 125 PSI  
Maximum Service Temperature: 180°F

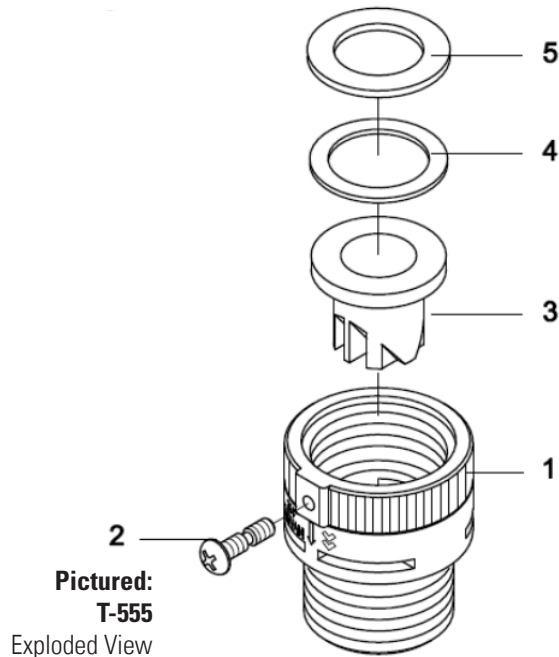
DIMENSIONS		
Size	A	B
3/4"	1.48"	1.33"

MATERIAL SPECIFICATION			
PART	MATERIAL	SPECIFICATION	
1	Body	Nylon	Commercial grade
2	Screw	Brass	C26000
3	Gasket	Silicone Rubber	Commercial grade
4	Washer	Stainless Steel	AISI Grade 304
5	Packing	NBR (Nitrile) Rubber	Commercial grade

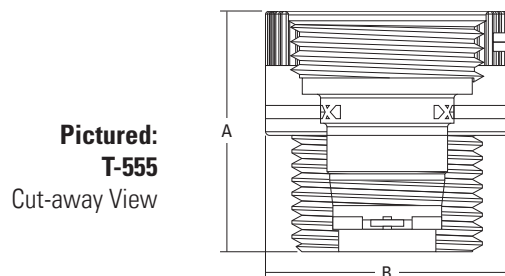
**Certifications/Standards:**  
Uniform Plumbing Code (UPC)  
ASSE 1011: Hose connection vacuum breakers.



**Pictured:  
T-555**



**Pictured:  
T-555**  
Exploded View



**Pictured:  
T-555**  
Cut-away View