

SUBMITTAL SHEET

JOB NAME	ITEM TAG
JOB LOCATION	PART NUMBER
CONTRACTOR	DATE
ENGINEER APPROVAL	DATE

QUARTER-TURN ANTI-SIPHON FREEZE-RESISTANT SILLCOCK

T-550, P-550, T-550P, T-550CPVC

Easy to grip 1/4-turn Softouch™ TPR coated metal handle.
 Patented¹ dual disc cartridge for durable and reliable shut-off.
 Oversized, 5° angled mounting flange for ease of installation. Includes EPDM rubber gasket.
 Integrated anti-siphon vacuum breaker with chrome-plated brass cap
 ASSE 1019-Type A Device.²



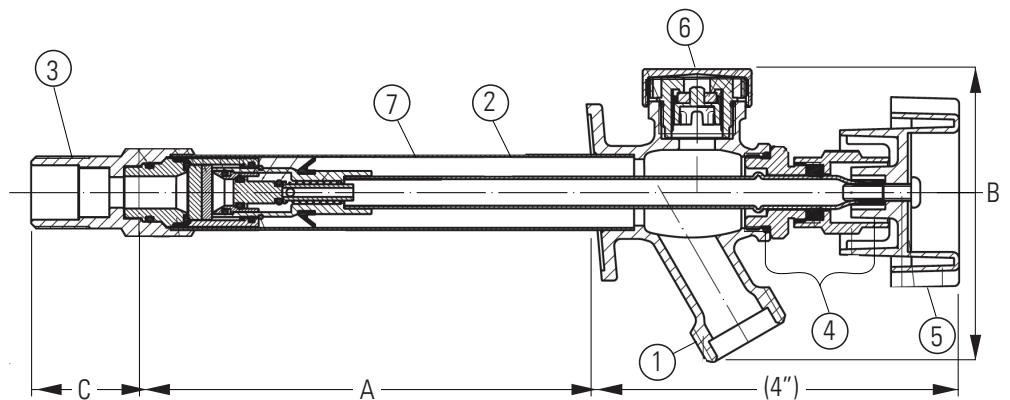
← Extra Wide Flange →

MATERIAL SPECIFICATION		
PART	MATERIAL	SPECIFICATION
1 Exterior body	Brass, chrome plated	UNS Alloy C85700
2 Outer Tube	Lead-free brass, chrome plated	UNS Alloy C27000
3 End Adapter	Forged brass, chrome plated	UNS Alloy C36000
4 Bonnet nut assembly	Forged brass, chrome plated / Other	UNS Alloy C36000 / Other
5 Handwheel	Aluminum & TPR rubber	--
6 Vacuum breaker assembly	Forged brass / POM	--
7 Stem assembly	Brass / Other	UNS Alloy C36000 / Other



DIMENSIONS - Inch		
Size	A	B
8"	8	3.4
10"	10	3.4
12"	12	3.4
14"	14	3.4

DIMENSIONS - Inch		
Inlet Type	C	
1/2" MNPT / 1/2" Sweat	1.6	
1/2" PEX (F1807)	1.6	
1/2" Press	1.2	
1/2" CPVC	1.0	
3/4" MNPT / 1/2" FNPT	1.6	



Certifications/Listings:

Third-party certified
 ASSE 1019-A: Performance requirements for wall hydrant with backflow protection and freeze resistance

Standards:

- ANSI/ASME B1.20.1: Pipe threads, general purpose, Inch
- ANSI/ASME B16.18: Cast pressure alloy solder-joint pressure fitting
- ASTM F1807: Metal insert fittings utilizing a copper crimp ring or stainless steel clamps.
- ASTM D2846: Chlorinated Poly (Vinyl Chloride) (CPVC) Plastic Hot- and Cold-Water Distribution Systems
- ANSI/ASME B16.51: Copper and copper alloy press-connect pressure fittings.
- ANSI / ASME B1.20.7 (male garden hose outlet)

Pictured:
T-550
Cut-away

¹Patents: US 5,392,805; CAN 2,211,042; D 527,797

²This device must not be subjected to more than 12 hours of continuous water pressure. The hose must be removed in order to prevent damage from freezing.