

SUBMITTAL SHEET

JOB NAME	ITEM TAG
JOB LOCATION	PART NUMBER
CONTRACTOR	DATE
ENGINEER APPROVAL	DATE

BALL-TYPE WATER HEATER DRAIN VALVE

Model T-540

200 W.O.G.

Working Pressure, Non Shock (PSI)

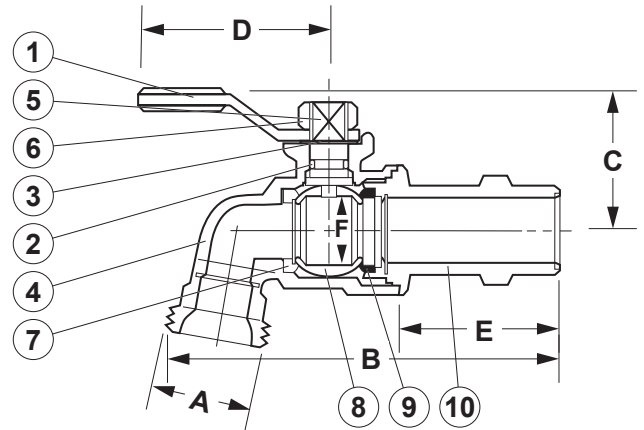
Cold working pressure (CWP):

Saturated steam (WSP):



Pictured
Model T-540

Pictured
Model T-540
Cut-away



MATERIAL SPECIFICATION

PART	MATERIAL	SPECIFICATION
1 Handle	Dacromet coated steel	
2 O-Ring	Viton	
3 Stem packing	*Teflon	
4 Body	FORGED BRASS	B124,C37700,EN12164
5 Stem	Chrome plated forged brass	
6 Handle nut	Steel	
7 Seat#1	*Teflon	
8 Ball	Chrome plated brass	
9 Seat#2	Neoprene	
10 End adapter	Forged brass	B124,C37700,EN12164

*Teflon is a registered trademark of DUPONT

DIMENSIONS

Size	A	B	C	D	E	F
3/4"	.75	3.70	1.28	1.86	1.75	.58