

SUBMITTAL SHEET

JOB NAME	ITEM TAG
JOB LOCATION	PART NUMBER
CONTRACTOR	DATE
ENGINEER APPROVAL	DATE



LEAD-FREE CURB STOP

T-5200NL / T-5200MPNL

Copper flare nut end connections provide strong pullout resistance.

90-degree operation with enclosed operating head stops.

Operating head has been drilled to accept stationary rod cotter pin attachment.

Minneapolis Pattern models have a 1-1/2" straight pipe threaded collar, with two drainage slots.

Durable, PTFE-coated ball assures positive, bubble-tight shutoff, low torque operation and long service life.

For underground water service installations only, to permit shutoff of the water supply, from the water main to the building.

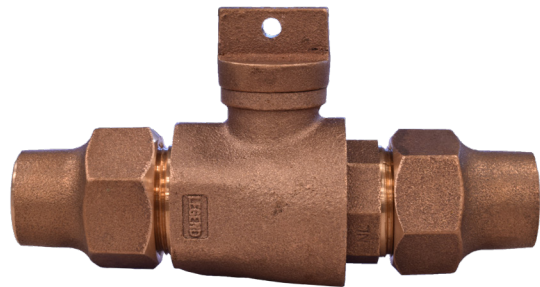
Available in CTS nominal sizes 3/4" through 2".

Minneapolis Pattern models available in CTS nominal sizes 3/4" and 1".

Working Pressure, Non Shock (PSI)

Cold Working Pressure (CWP): 300 psi - 100°F Max

Not suitable for steam service.



Pictured:
T-5200NL

MATERIAL SPECIFICATION

PART	MATERIAL	SPECIFICATION
1 Body	Lead-free cast bronze	ASTM B584 - UNS C89836
2 Seats (2)	Buna-N (NBR) nitrilic rubber	Commercial grade
3 Operating head and stem	Lead-free cast bronze	ASTM B584 - UNS C89836
4 Stem O-rings (2)	Buna-N (NBR) nitrilic rubber	Commercial grade
5 Stem locknut	Lead-free cast bronze	ASTM B584 - UNS C89836
6 Ball	PTFE-coated lead-free cast bronze	ASTM B584 - UNS C89836
7 End adapter	Lead-free cast bronze	ASTM B584 - UNS C89836
8 Flare nut (2)	Cast bronze	ASTM B584 - UNS C83600

DIMENSIONS - Inch

Size	A	B	C
3/4"	1.61	6.95	2.69
1"	1.61	7.28	2.79
1-1/4"	1.61	8.19	2.84
1-1/2"	2.03	9.75	3.45
2"	2.03	12.63	3.64

Certifications/Listings:

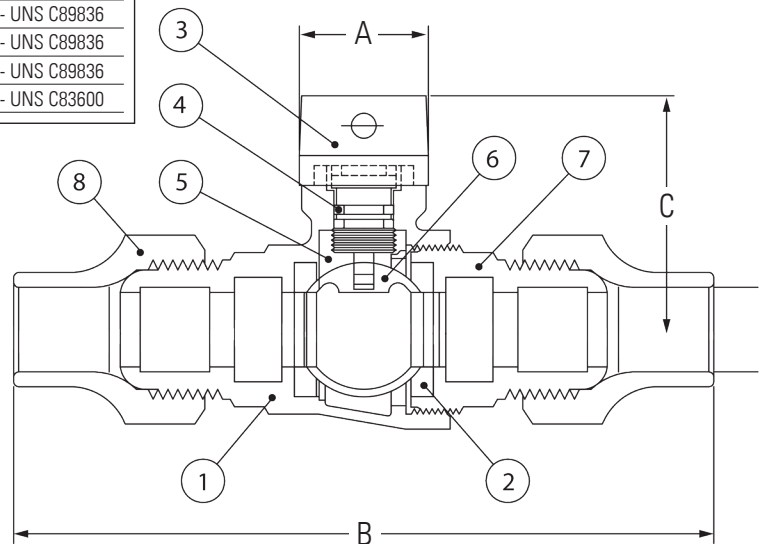
Third-party certified.

NSF/ANSI 61: Drinking water system components - Health effects.

NSF/ANSI 372: Drinking water system components - Lead content.

Standards:

AWWA C800 : Underground service line valves and fittings.



Pictured:
T-5200NL
Cut-away