

SUBMITTAL SHEET

JOB NAME	ITEM TAG
JOB LOCATION	PART NUMBER
CONTRACTOR	DATE
ENGINEER APPROVAL	DATE

NO LEAD Brass PEX Sillcock

T-514PNL PEX F1807 & F1960

Full-pattern forged brass body is more durable than competitors' cast reduced-material examples.

Diamond-shaped sill flange offers enhanced coverage of the sill hole and extended spacing between the fastener holes, for better tool access when attaching to the sill. An improvement over round sill flange types.

*3/4" GHT outlets accept 3/4" hose-thread-mounted vacuum breakers, including our models T-553, T-553C, T-554, T-557, and T-557C.

Available in nominal 1/2" and 3/4" PEX (F1807 or F1960) inlet x 3/4" MGHT hose thread outlet sizes.

*Vacuum breaker not included, but typically required in most municipalities.

Working Pressure, Non Shock (PSI)

Cold working pressure (CWP): 125 psi
Saturated steam (WSP): Not suitable for steam service



Pictured:
T-514PNL F1807

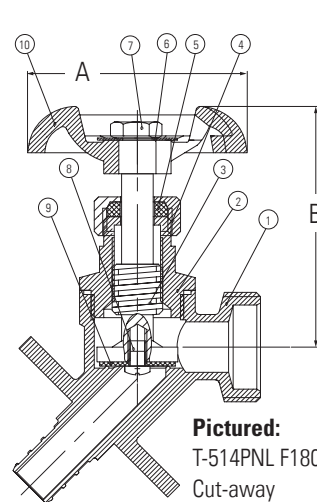


Pictured:
T-514PNL F1960

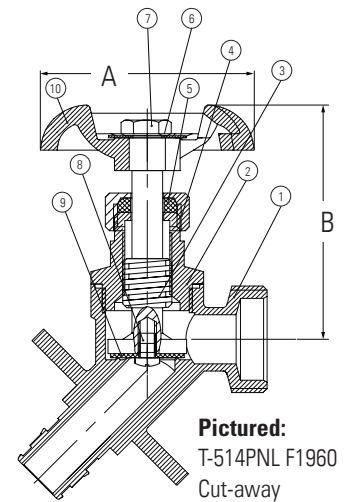
DIMENSIONS - Inch					
Nominal Size	A	B (closed)	C	D	E
1/2" PEX (ASTM F1807) x 3/4" MGHT	2.09	2.25	2.36	2.09	2.91
3/4" PEX (ASTM F1807) x 3/4" MGHT	2.09	2.25	2.36	2.09	2.91
1/2" CE PEX (ASTM F1960) x 3/4" MGHT	2.09	2.25	2.36	2.09	2.91
3/4" CE PEX (ASTM F1960) x 3/4" MGHT	2.09	2.25	2.36	2.09	2.91

MATERIAL SPECIFICATION

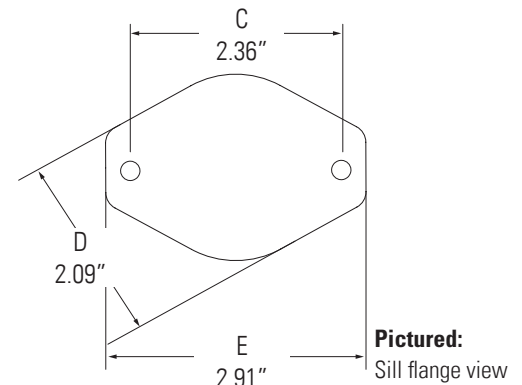
PART	MATERIAL	SPECIFICATION
1 Body	Lead-free forged brass	ASTM B171 UNS Alloy C46500
2 Bonnet	Lead-free forged brass	ASTM B171 UNS Alloy C46500
3 Stem	Lead-free forged brass	ASTM B171 UNS Alloy C46500
4 Packing nut	Forged brass	ASTM B124 UNS C37700
5 Stem packing	PTFE	Commercial grade
6 Identification disc	Aluminum	ASTM B209-1100
7 Handle nut	Stainless steel	AISI grade 304
8 Seat retaining screw	Lead-free forged brass	ASTM B171 UNS Alloy C46500
9 Seat washer	EPDM elastomer	Commercial grade
10 Handle	Cast iron	ASTM A48 Class 35



Pictured:
T-514PNL F1807
Cut-away



Pictured:
T-514PNL F1960
Cut-away



Pictured:
Sill flange view

Certifications/Listing:

Third-party certified.
NSF/ANSI 61: Drinking Water System Components - Health Effects
NSF/ANSI 372: Drinking Water System Components - Lead Content
ASME A112.18.1/CSA B125.1: Plumbing Supply Fittings - Lawn and Sediment Faucet

Standards:

ASTM F1807: Metal insert fittings utilizing a copper crimp ring or stainless steel clamps.
ASTM F1960: Cold expansion fittings with PEX reinforcing rings.
ANSI/ASME B1.20.7: Hose Coupling Screw Threads, Inch.