

SUBMITTAL SHEET

JOB NAME	ITEM TAG
JOB LOCATION	PART NUMBER
CONTRACTOR	DATE
ENGINEER APPROVAL	DATE

LONG BONNET STOP VALVE

Model T-504 S-504

Working Pressure, Non Shock (PSI)

Cold working pressure (CWP): 125

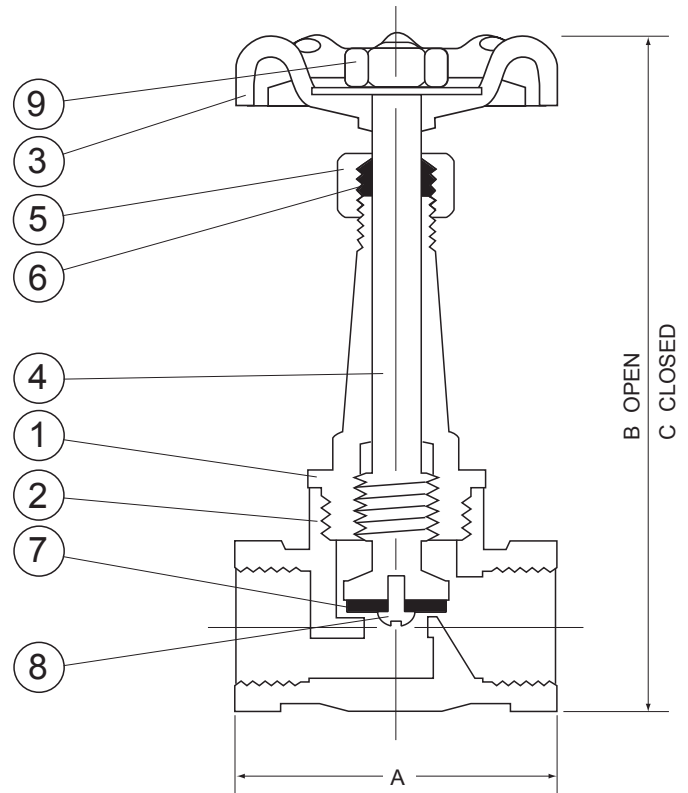
Saturated steam (WSP):



Pictured
**Model T-504
S-504**

MATERIAL SPECIFICATION		
PART	MATERIAL	SPECIFICATION
1 Bonnet	Cast brass	B584, C857
2 Body	Cast brass	B584, C857
3 Handle	Cast iron	ASTM A48 class 35
4 Stem	Brass	B 584 C85710
5 Packing nut	Brass	B124 C37700
6 Packing	Asbestos free graphite	SE 719 F
7 Seat	Nitrile (nbr)	SE 719 F
8 Seat screw	Brass	IIS H3260 C2600W
9 Handle nut	Brass	B124 C37100

DIMENSIONS			
Size	A	B	C
1/2" IPS	2.113	4.823	4.556
1/2" C x C	2.0965	4.790	4.591
3/4" C x C	2.705	4.881	4.582



Pictured
**Model T-504
S-504**
Cut-away