

## SUBMITTAL SHEET

JOB NAME	ITEM TAG
JOB LOCATION	PART NUMBER
CONTRACTOR	DATE
ENGINEER APPROVAL	DATE

# NO LEAD PACK JOINT 1/4 BEND CTS X CTS

## T-4411NL

Designed and manufactured for the repair of, or new underground water service applications only.

Pack-joint end connections provide the maximum pullout resistance against internal pressure variations and backfilling stress.

Insert stiffeners (Model T-4500, sold separately) are required at each pack-joint connection, when installing on Polyethylene (PE) plastic pipe.

Available in nominal sizes 3/4" thru 2" CTS x CTS configurations.

### Working Pressure, Non Shock (PSI)

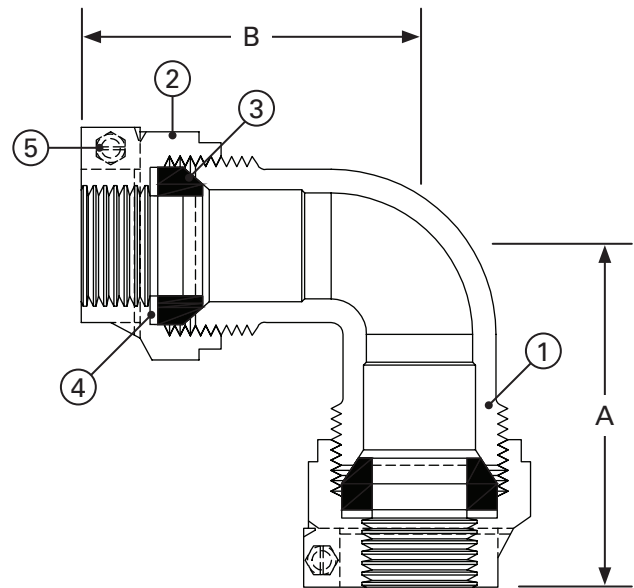
Manufactured in compliance with the latest version of AWWA C800, for high pressure.



**Pictured:  
T-4411NL**

MATERIAL SPECIFICATION	
PART	MATERIAL
1 Body	Lead-Free Cast Bronze
2 Pack-Joint Nut	Cast Bronze
3 Pack-Joint Gasket	Buna-N (NBR) Nitrilic Rubber
4 Pack-Joint Anti-Friction Ring	PTFE
5 Pack-Joint Clamp bolt	Stainless Steel

DIMENSIONS		
Size	A	B
3/4"	2.66	2.66
1"	3.12	3.12
1-1/4"	3.75	3.75
1-1/2"	4.46	4.46
2"	4.98	4.98



**Pictured:  
T-4411NL  
Cut-away**

### Certifications/Listings:

NSF/ANSI 61: Drinking water system components - Health effects.  
 NSF/ANSI 372: Drinking water system components - Lead content.

### Standards:

AWWA C800: Underground service line valve and fittings.