

## SUBMITTAL SHEET

JOB NAME	ITEM TAG
JOB LOCATION	PART NUMBER
CONTRACTOR	DATE
ENGINEER APPROVAL	DATE

# NO LEAD RING COMPRESSION X MNPT ADAPTER

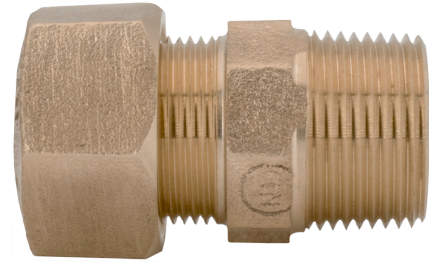
## T-4350NL

Designed and manufactured for the repair of, or new underground water service applications only.

Grip ring compression end connections provide pull out resistance.

Insert stiffeners (Model T-4500, sold separately) are required at each pack-joint connection, when installing Polyethylene (PE) plastic tubing.

Available in CTS nominal sizes 3/4" through 2" size x MNPT.



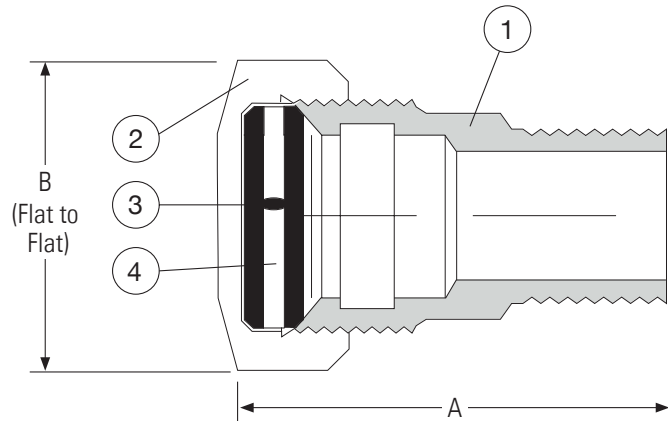
**Pictured:**  
T-4350NL

### Specifications:

Manufactured in compliance with the latest version of AWWA C800, for high pressure.

MATERIAL SPECIFICATION	
PART	MATERIAL
1 Body	Lead-free cast bronze
2 Compression nut	Cast bronze
3 Gasket	BUNA-N (NBR) nitrilic rubber
4 Gripper ring	Stainless steel

DIMENSIONS		
Size	A	B
3/4"	2.72	1.53
3/4" x 1"	2.72	1.53
1"	2.84	1.88
1" x 3/4"	2.89	1.88
1-1/4"	3.39	2.33
1-1/2"	3.23	2.47
2"	4.00	2.96



**Pictured:**  
T-4350NL  
Cut-away view

### Certifications/Listings:

Third-party certified.

ANSI/NSF 61: Drinking water system components health effects.

ANSI/NSF 372: Drinking water system components-lead content.

### Standards:

AWWA C800: Underground service line valves and fittings.

ANSI/ASME B1.20.1: Pipe threads, general purpose, Inch.