

SUBMITTAL SHEET

JOB NAME	ITEM TAG
JOB LOCATION	PART NUMBER
CONTRACTOR	DATE
ENGINEER APPROVAL	DATE

STEAM ANGLE RADIATOR VALVE

Model T-431YB

15 W.S.P.

60 hot water non-shock

Working Pressure, Non Shock (PSI)

Cold working pressure (CWP):

Saturated steam (WSP):



Pictured Model T-431YB

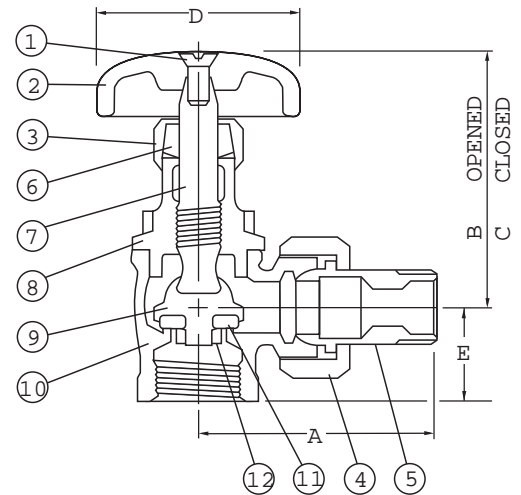
MATERIAL SPECIFICATION

PART	MATERIAL	SPECIFICATION
1 Handle screw	Steel	
2 Handle	Phenolic	
3 Packing nut	Brass	
4 Union nut	Yellow brass	
5 Tailpiece	Yellow brass	
6 Packing	*Teflon	
7 Stem	Forged brass	
8 Bonnet	Yellow brass	
9 Disc holder	Yellow brass	
10 Body	Yellow brass	
11 Disc	EPDM	
12 Disc nut	Brass	

*Teflon is a registered trademark of DUPONT

DIMENSIONS

Size	A	B	C	D	E
3/4"	2.54	3.18	2.74	2.30	1.16
1"	2.85	3.61	2.95	2.30	1.22
1-1/4"	3.22	3.82	3.26	2.30	1.44



**Pictured Model T-431YB-
Cut-away**