

## SUBMITTAL SHEET

JOB NAME	ITEM TAG
JOB LOCATION	PART NUMBER
CONTRACTOR	DATE
ENGINEER APPROVAL	DATE

## LEAD-FREE PACK JOINT X MNPT ADAPTER

### T-4300NL

Designed and manufactured for the repair of, or new underground water service applications only.

CTS pack-joint end connections provide the maximum pullout resistance against internal pressure variations and backfilling stress. They are designed to be installed onto the following tubing types: Type K or L copper water tubing compliant with ASTM B88; Polyethylene plastic tubing compliant with ASTM D2737 SDR 9 (insert stiffener required).

Insert stiffeners (Model T-4500, sold separately) are required at each pack-joint connection, when installing Polyethylene (PE) plastic tubing.

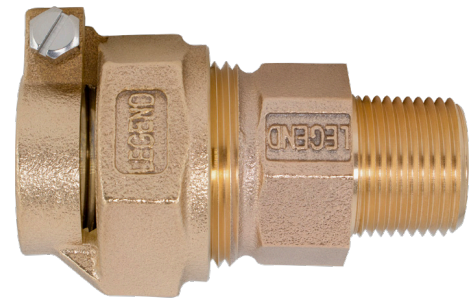
Available in nominal sizes 1/2" to 2" copper-tubing-size x MNPT

#### Specifications:

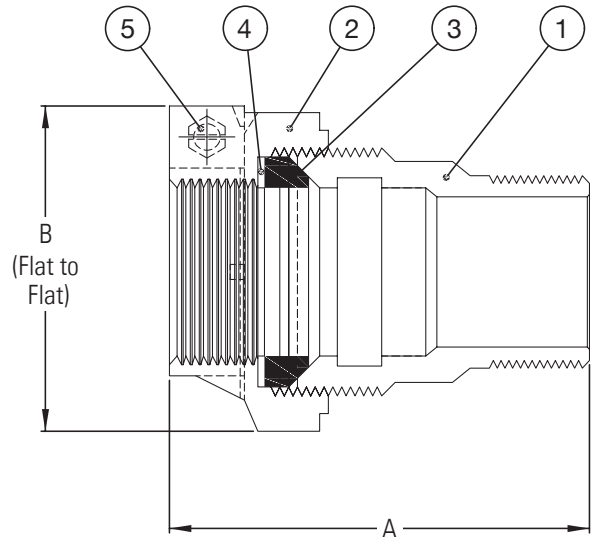
Manufactured in compliance with the latest version of AWWA C800, for high pressure.

MATERIAL SPECIFICATION	
PART	MATERIAL
1 Body	Lead-free cast bronze
2 Pack-joint nut	Cast bronze
3 Pack-joint gasket	Buna-N (NBR) nitrilic rubber
4 Pack-joint anti-friction ring	Nylon
5 Pack-joint clamp bolt	Stainless steel

DIMENSIONS			
Size	A	B	Item No.
3/4"	3.17	1.56	313-204NL
1"	3.63	1.83	313-205NL
1-1/4"	3.76	2.42	313-206NL
1-1/2"	4.08	2.42	313-207NL
2"	4.84	2.97	313-208NL



**Pictured:**  
T-4300NL



**Pictured:**  
T-4300NL  
Cut-away

#### Certifications/Listings:

Third-party certified.  
ANSI/NSF 61: Drinking water system components health effects.  
ANSI/NSF 372: Drinking water system components-lead content.

#### Standards:

AWWA C800: Underground service line valves and fittings.  
ANSI/ASME B1.20.1: Pipe threads, general purpose, Inch.