

## SUBMITTAL SHEET

JOB NAME	ITEM TAG
JOB LOCATION	PART NUMBER
CONTRACTOR	DATE
ENGINEER APPROVAL	DATE

## NO LEAD BRONZE & CAST IRON METER FLANGES

### T-4216NL & T-4217

When installed in pairs, Meter Flanges permit the installation of flange-end Water Meters onto water supply piping.

T-4216NL available in no lead bronze.

T-4217 available in naturally lead-free cast iron.

Available in nominal pipe sizes 1-1/2" and 2."

#### Working Pressure, Non Shock (PSI)

Cold working pressure (CWP): 150  
Saturated steam (WSP): Not suitable for steam service

**Pictured:**  
T-4216NL



**Pictured:**  
T-4217



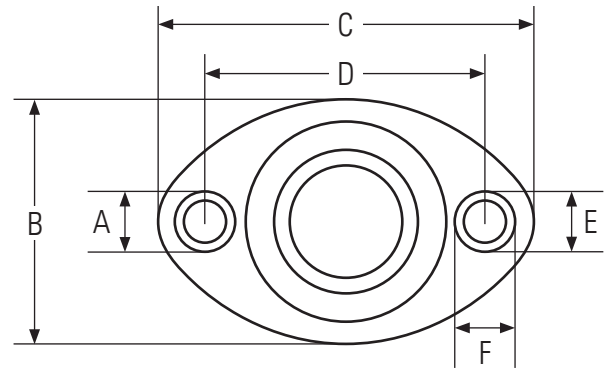
#### MATERIAL SPECIFICATION

PART	MATERIAL
Model T-4216NL	Lead-free bronze
Model T-4217	Cast iron (lead-free)
<i>*Gaskets and hardware not included</i>	

#### DIMENSIONS

Part No.	Size	Model	A	B	C	D	E	F
313-707NL	1-1/2"	T-4216NL	.92	3.32	5.41	3.88	0.74	0.78
313-708NL	2"	T-4216NL	.94	3.93	5.95	4.28	0.75	0.78
313-717	1-1/2"	T-4217	1.12	3.59	5.43	3.97	0.78	0.78
313-718	2"	T-4217	1.06	3.93	5.92	4.22	0.79	1.04

**Pictured:** T-4216NL & T-4217 Dimensional Reference



#### Certifications/Listings:

Third-party certified  
NSF/ANSI 61: Drinking water system components - Health effects\*  
NSF/ANSI 372: Drinking water system components - Lead content\*

#### Standards:

ANSI/ASME B1.20.1: Pipe threads, general purpose, inch

*\*T-4216NL Only*