

SUBMITTAL SHEET

JOB NAME	ITEM TAG
JOB LOCATION	PART NUMBER
CONTRACTOR	DATE
ENGINEER APPROVAL	DATE

QUARTER-TURN BALL-TYPE LOG LIGHTER VALVES

T-3500, T-3500PB, T-3501 and T-3501PB

Durable, compact design is ideal for natural fireplace log lighting, or continuous-burn artificial gas log sets.

Complete with highly-polished, decorative escutcheons in chrome or brass finishes, with matching keys.

No escutcheon extension kit needed: Escutcheons and valve body are threaded 1/2" NPSM, permitting infinite extension lengths with the use of a bronze coupling and red brass nipple of desired length.

Additional key lengths available separately, in 8", 10" and 12" lengths.

Positive quarter-turn, bubble-tight shutoff is safer than globe-type valves.

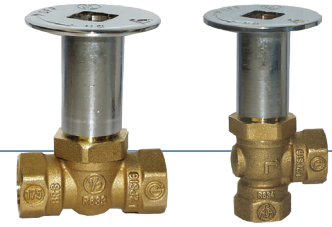
Certified for use on natural gas or LP gas systems.

Available in angle or straight pattern configurations, with 1/2" FNPT end connections.

Working Pressure, Non-Shock (psi):
Cold Working Pressure (CWP): 125 psi
Saturated Steam (WSP): Not suitable for steam applications.
Maximum Service Temperature: 180°F

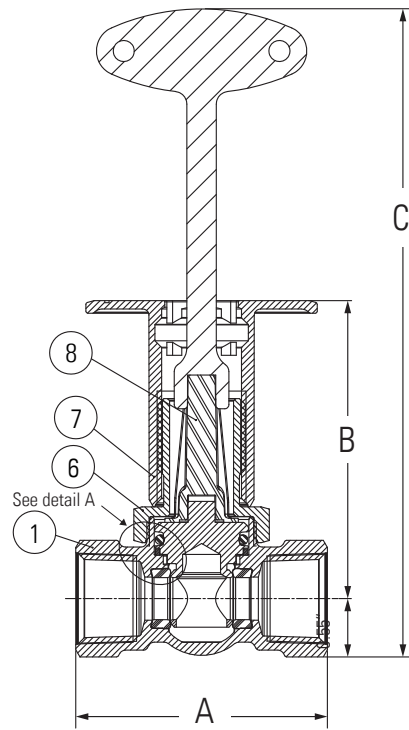
BTU Rating at 7 in. WC

T-3500 Straight-pattern	98,000 BTU/hr.
T-3501 Angle-pattern	158,000 BTU/hr.

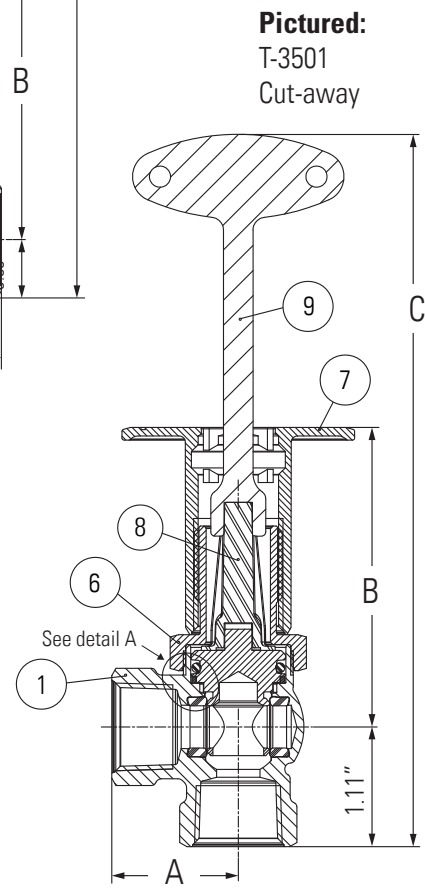


Pictured:
T-3500

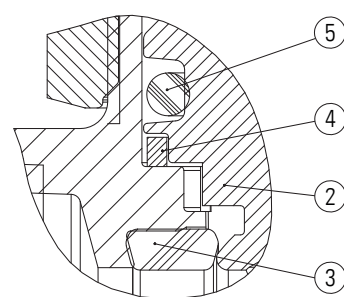
Pictured:
T-3501



Pictured:
T-3500
Cut-away



Pictured:
T-3501
Cut-away



Detail A

MATERIAL SPECIFICATION			
PART	MATERIAL	SPECIFICATION	
1 Body	Forged brass	ASTM B124 UNS alloy C37700	
2 Ball-stem	Forged brass	ASTM B124 UNS alloy C37700	
3 Seat (2)	Nitrile (NBR) rubber	Type 7PB496 ASTM D2000	
4 Anti-friction washer	Synthetic fiber	Commercial grade	
5 Stem O-ring	Nitrile (NBR) rubber	Type 7PB496 ASTM D2000	
6 Stem shield	Forged brass	ASTM B124 UNS alloy C37700	
7 Escutcheon	Forged brass	ASTM B124 UNS alloy C37700	
8 Stem extension	Aluminum	Commercial grade	
9 Key, 1/4-inch square stem receiver	Aluminum	Commercial grade	

DIMENSIONS			
Nominal pipe size	A	B	C
1/2" FNPT x FNPT		min/max	
T-3500 Straight-pattern	2.36	2.80/3.60	6.38
T-3501 Angle-pattern	1.18	2.80/3.60	7.00
Escutcheon length: 1-7/8"			
Key length: 4"			

Certifications/Listings:
ANSI Z21.15: Gas appliance connector valve for 1/2 lb. systems.

Standards:
ANSI/ASME B1.20.1: Pipe threads, general purpose, Inch