

# SUBMITTAL SHEET

JOB NAME	ITEM TAG
JOB LOCATION	PART NUMBER
CONTRACTOR	DATE
ENGINEER APPROVAL	DATE

## LEAD-FREE FORGED BRASS FULL PORT BALL VALVE WITH DRAIN

### T/S-2102NL

Lead-free design is suitable for all no-lead potable water installations, in full compliance of all lead-free plumbing laws.

Dezincification-resistant (DZR) forged brass resists corrosion from exposure to harsh water conditions.

Bottom-loaded, blowout-proof stem features a dual-seal PTFE packing and EPDM rubber O-ring design, assuring positive sealing and long wear.

Self-cleaning chrome-plated ball resists mineral build-up and scaling.

Bubble-tight shutoff and capped waste port permit isolation, drain-down and servicing of the plumbing system, for maintenance or to prevent freeze-up.

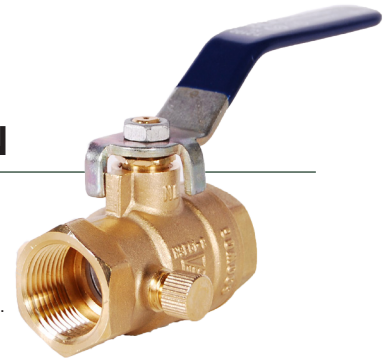
Available in threaded (FNPT) and female copper (Sweat) nominal sizes 1/2", 3/4" and 1".

#### Working Pressure, Non Shock (PSI)

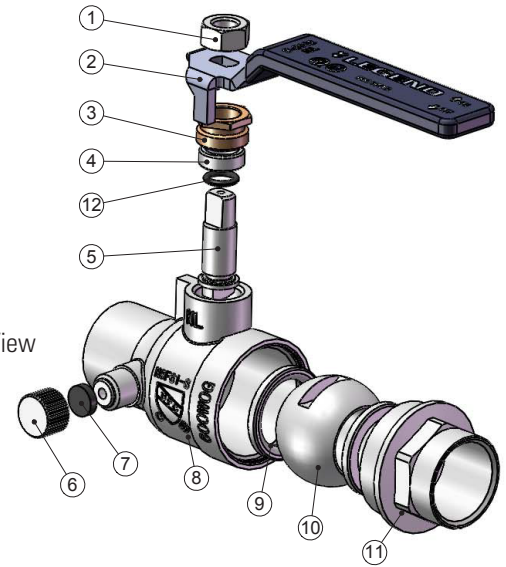
Cold working pressure (CWP): 600 p.s.i.

Saturated steam (WSP): Not suitable for steam service

- Third-party tested and certified in compliance with U.S. Federal Public Law 111-380 (National lead-free plumbing law).
- UPC / IAPMO certified to ANSI / NSF Standard 61 Annex G: Meets NSF 372 lead content requirements.
- End connections comply with:  
ANSI / ASME B1.20.1 (FNPT)  
ASME B16.18 (CTS Sweat)
- Manufactured in an ISO accredited facility.



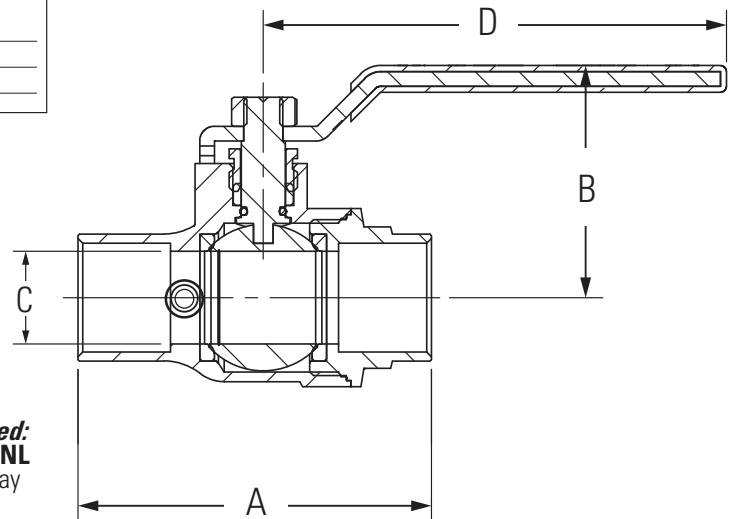
**Pictured:  
T-2102NL**



**Pictured:  
S-2102NL  
Exploded View**

MATERIAL SPECIFICATION		
PART	MATERIAL	SPECIFICATION
1	Handle nut	Zinc plated steel ASME SA6 and ASTM A283 Grade C
2	Lever handle	Zinc plated steel ASME SA6 and ASTM A283 Grade C
3	Packing nut	Forged brass UNS Alloy 38500
4	Stem packing	PTFE FR101 resin
5	Stem	Dezincification-resistant lead-free forged brass UNS Alloy C46500
6	Waste cap	Forged brass UNS Alloy C38500
7	Cap gasket	NBR rubber Commercial grade
8	Body	Dezincification-resistant lead-free forged brass UNS Alloy C46500
9	Seats (2)	PTFE FR101 resin
10	Ball	Dezincification-resistant lead-free forged brass, chrome-plated UNS Alloy C46500
11	End adapter	Dezincification-resistant lead-free forged brass UNS Alloy C46500
12	Stem O-ring	EPDM rubber Commercial grade

DIMENSIONS							
Nominal Size	A (FNPT)	A (Cx C)	B (FNPT)	B (Cx C)	C	D (FNPT)	D (Cx C)
1/2"	2.28	2.07	1.71	1.63	0.51	3.62	3.74
3/4"	2.50	2.85	2.11	1.87	0.75	4.33	3.74
1"	3.05	3.44	2.74	2.74	0.98	5.11	5.12



**Pictured:  
S-2102NL  
Cut-away**