

**SUBMITTAL SHEET**

JOB NAME	ITEM TAG
JOB LOCATION	PART NUMBER
CONTRACTOR	DATE
ENGINEER APPROVAL	DATE

**NO LEAD FORGED BRASS FULL PORT BALL VALVE**

**T-2000NL**

Dezincification-resistant (DZR) forged brass resists corrosion from exposure to a wide variety of water conditions.

Bottom-loaded, blowout-proof stem features a dual-seal PTFE packing and EPDM rubber O-ring design, assuring positive sealing under a multitude of conditions.

Self-cleaning chrome-plated ball resists mineral build-up and scaling typically found in harsh, varying water conditions.

Multiple certifications make the 2000NL series a multi-purpose valve, suitable for new or repair installations of plumbing or gas systems.

Stainless steel lever handles and handle nuts available (sold separately).

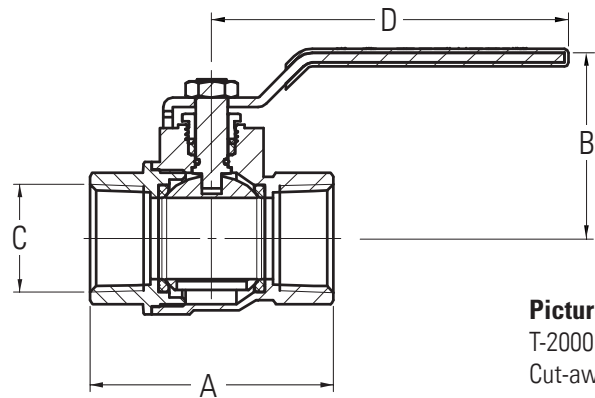
Available in female pipe thread (FNPT) sizes 1/4" to 4" and female sweat tubing (Sweat) sizes 1/2" to 4".

**Working Pressure, Non Shock (PSI)**

Cold working pressure (CWP):	600 psi - (1/4" - 2")
	400 psi - (2-1/2" - 4")
Saturated steam (WSP):	150 psi



**Pictured:**  
T-2000NL

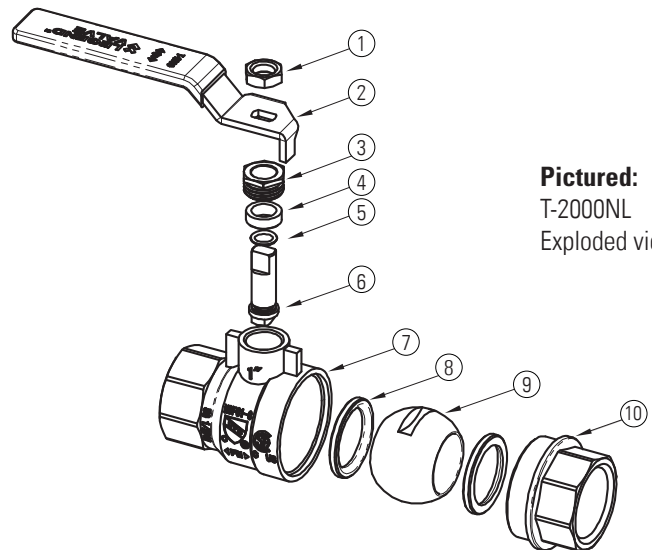


**Pictured:**  
T-2000NL  
Cut-away

MATERIAL SPECIFICATION		
PART		MATERIAL
1	Handle nut	Zinc plated steel
2	Lever handle	Zinc plated steel
3	Packing nut	Forged brass
4	Stem packing	PTFE
5	Stem O-ring	EPDM Rubber
6	Stem	Lead-free forged brass
7	Body	Lead-free forged brass
8	Seats (2)	PTFE
9	Ball	Lead-free chrome plated forged brass*
		Stainless steel**
10	End adapter	Lead-free forged brass

\*1/4" - 1" sizes; \*\*1-1/4" - 4" sizes

DIMENSIONS - Inch					
Size	A (IPS)	A (Cx C)	B	C	D
1/4"	1.73	—	1.42	0.39	3.19
3/8"	1.73	—	1.42	0.39	3.19
1/2"	2.17	2.05	1.66	0.57	3.74
3/4"	2.46	2.76	1.90	0.75	3.74
1"	2.95	3.33	2.30	0.98	4.33
1-1/4"	3.39	3.86	2.70	1.26	5.12
1-1/2"	3.78	4.45	2.91	1.54	5.12
2"	4.33	5.47	3.48	1.95	6.34
2-1/2"	5.55	6.46	4.65	2.50	9.45
3"	6.38	7.52	5.02	3.03	9.45
4"	7.54	9.49	5.93	3.94	9.45



**Pictured:**  
T-2000NL  
Exploded view

**Certifications/Listings:**

Third-party certified

NSF/ANSI 14: Plastic piping system components and related materials.

NSF/ANSI 61: Drinking water system components - Health effects.

NSF/ANSI 372: Drinking water system components - Lead content.

ANSI Z21.15: Gas appliance connector valve for ½ lb. systems. (1/4" - 2" NPT)

ASME B16.44: For use in above ground gas piping systems up to 5 PSI. (1/4" - 2" NPT)

ANSI/ASME B16.33: For use in gas piping systems up to 175 psig. (1/4" - 2" NPT)

CSA 3.16: For use in gas piping systems up to 175 psig. (1/4" - 2" NPT)

UL 3LZW: For use with LP, natural and manufactured gases; flammable liquids, #6 oil at 250° F

UL MHKZ: Manual shutoff valve, 600 psi max. (1/2" - 2" NPT)

UL YQNZ: Compressed gas shutoff valve, 600 psi max. (1/2" - 2" NPT)

UL YRBX: Flammable liquid shutoff valve. 400 psi max. (1/2" - 2" NPT)

UL YRPV: Gas shutoff valve, 600 psi max. (1/2" - 2" NPT)

UL YSDT: LP gas shutoff valve, 600 psi max. (1/2" - 2" NPT)

**Standards:**

MSS SP-110: Ball Valves Threaded, Socket-Welding, Solder Joint, Grooved and Flared Ends.

ANSI/ASME B1.20.1: Pipe threads, general purpose, Inch.

ANSI/ASME B16.18: Cast Pressure alloy solder-joint pressure fittings.