

SUBMITTAL SHEET

JOB NAME	ITEM TAG
JOB LOCATION	PART NUMBER
CONTRACTOR	DATE
ENGINEER APPROVAL	DATE

NO LEAD DZR FORGED BRASS PEX BALL VALVE

T-1960NL Drop Ear & Transition

Dezincification-resistant (DZR) forged brass resists corrosion from exposure to a wide variety of water conditions.

Bottom-loaded, blowout-proof stem features a dual-seal PTFE packing and EPDM rubber O-ring design, assuring positive sealing under a multitude of conditions.

Self-cleaning stainless steel ball resists mineral build-up and scaling.

The drop-ear-drainable configuration, when properly fastened to supports, drastically reduces tubing stress by dispersing the operational twisting force through the valve's body, verses the tubing connections

MNPT configuration permits simple, convenient transitioning from pipe to PEX tubing.

Sweat end configuration permits a convenient transition from copper to PEX tubing.

Available in 1/2", 3/4", & 1".

Working Pressure, Non Shock (PSI)

Cold working pressure (CWP): 400 psi (valve body)*
Saturated steam (WSP): Not suitable for steam applications

***Caution!** Exceeds the pressure rating of PEX tubing

MATERIAL SPECIFICATION	
PART	MATERIAL
1 Handle nut	Zinc plated steel
2 Lever handle	Zinc plated steel
3 Anti-friction washer	PTFE
4 Body	DZR lead-free forged brass
5 Seats (2)	PTFE
6 Ball	DZR, chrome-plated, lead-free forged brass or stainless steel
7 End adapter	DZR lead-free forged brass
8 Stem O-rings (2)	DZR lead-free forged brass, chrome-plated
9 Stem	DZR lead-free forged brass, chrome plated
10 Waste cap gasket*	NBR rubber
11 Waste cap*	Brass

*Drop-ear with waste configuration only.

Certifications/Listings:

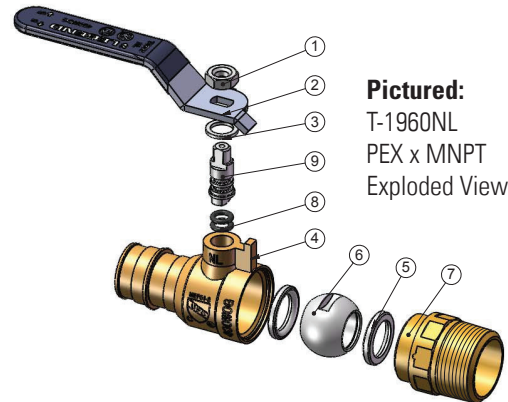
Third-party certified.
NSF/ANSI 14: Plastic piping system components and related materials.
NSF/ANSI 61: Drinking water system components - Health effects.

Standards:

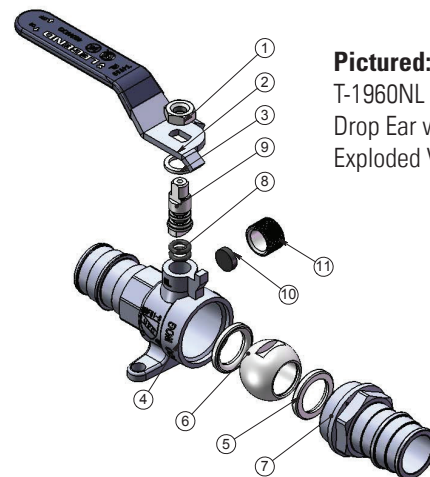
ASTM F1960: Cold expansion fittings with PEX reinforcing rings.
ANSI/ASME B1.20.1: Pipe threads, general purpose (Inch).
ANSI/ASME B16.18: Cast Copper alloy solder joint pressure fittings.



Pictured:
T-1960NL
PEX x MNPT



Pictured:
T-1960NL
PEX x MNPT
Exploded View



Pictured:
T-1960NL
Drop Ear with Waste
Exploded View

SUBMITTAL SHEET

JOB NAME	ITEM TAG
JOB LOCATION	PART NUMBER
CONTRACTOR	DATE
ENGINEER APPROVAL	DATE

DIMENSIONS - NO STEM EXTENSION									
Size	A (PEX x MNPT)	A (PEX x Sweat)	A (PEX x PEX drop ear w/ waste)	B	C	D	E*	F*	G*
1/2"	2.54	2.11	2.82	1.50	0.39	2.95	0.94	0.21	1.48
3/4"	2.91	2.76	3.48	1.58	0.53	3.17	1.02	0.21	1.65
1"	3.60	3.37	4.25	1.97	0.75	4.17	1.17	0.21	1.93

*Applicable to the drop-ear configuration.

