

SUBMITTAL SHEET

JOB NAME	ITEM TAG
JOB LOCATION	PART NUMBER
CONTRACTOR	DATE
ENGINEER APPROVAL	DATE

SMARTCLICK® CONNECTION SYSTEM FOR PE-RT / PEX TUBING

SMARTCLICK BALL VALVE

SmartClick fittings are designed for permanent installation onto ASTM F876 and F877 compliant PEX tubing and ASTM F2769 compliant PE-RT tubing. They are designed and approved for use in domestic and commercial applications for both potable water distribution and Hydronic heating systems.

Available in nominal tubing sizes 1/2", 3/4" and 1".

NOT for use with Copper, CPVC polybutylene (PB), composite PEX-AL-PEX, or iron pipe size (IPS) tubing.

Working Pressure, Non Shock (PSI)

Cold working pressure (CWP):	200 psi*
Maximum service temperature:	200°F*
Saturated steam (WSP):	Not suitable for steam service

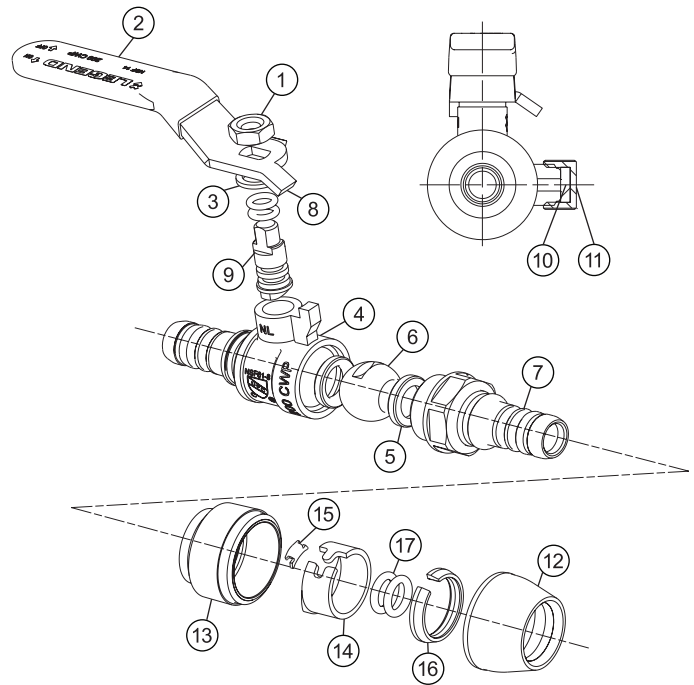
**CAUTION! May exceed the maximum service temperature or pressure of the PE-RT or PEX tubing.*

Pictured:
SmartClick Ball Valve



MATERIAL SPECIFICATION		
PART	MATERIAL	SPECIFICATION
1	Handle nut	Zinc plated steel ASME SA6, SA283 Grade C
2	Lever handle	Zinc plated steel ASME SA6, SA283 Grade C
3	Anti-friction washer	PTFE Commercial grade
4	Body	DZR lead-free forged brass UNS Alloy C46500
5	Seats (2)	PTFE Commercial grade
6	Ball	DZR, chrome-plated, lead-free forged brass UNS Alloy C46500
7	End adapter	DZR lead-free forged brass UNS Alloy C46500
8	Stem O-rings (2)	EPDM Commercial grade
9	Stem	DZR lead-free forged brass, chrome-plated UNS Alloy C46500
10	Waste cap gasket*	EPDM Commercial grade
11	Waste cap*	Brass UNS Alloy C36000
12	End cap	Polycarbonate (PC) Commercial grade
13	Sight glass	Polycarbonate (PC) Commercial grade
14	Clamp	Spring steel JIS S65C
15	Retention wedge	Spring steel JIS S65C
16	Spacer	Polyphenylsulfone (PPSU) ASTM D6394
17	O-rings (2)	EPDM Commercial grade

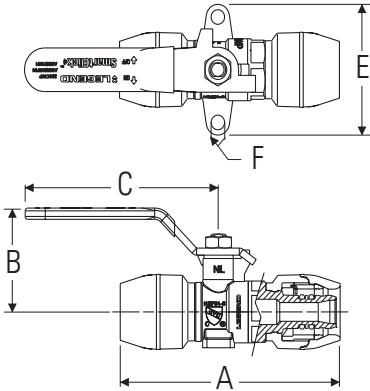
*Drop-ear with waste configuration only



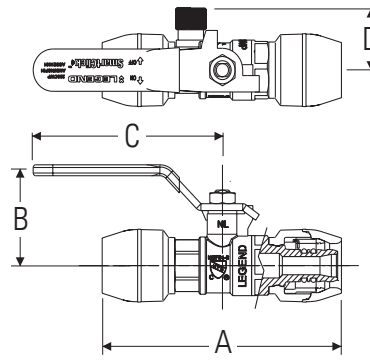
DIMENSIONS - Inch

Size	A (Push x Push)	A (Push x Push w/ Waste)	A (Push x MNPT)	B	C	D	E	F
1/2"	3.36	3.73	2.87	1.44	3.06	1.22	1.48	0.20
3/4"	3.72	4.04	3.12	1.53	3.06	1.50	1.65	0.20
1"	4.52	4.83	3.85	2.00	4.14	1.87	1.93	0.20

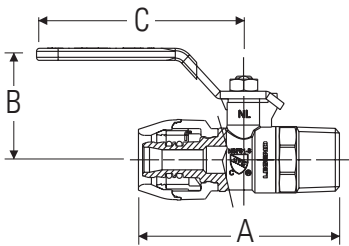
Pictured:
SmartClick
Ball Valve
w/ Drop Ear



Pictured:
SmartClick
Ball Valve
w/ Drain



Pictured:
SmartClick
Ball Valve
MNPT



Certifications/Listings:

All SmartClick fittings are 3rd party certified (ICC-ES report PMG-1444) to the following standards and codes:

NSF / ANSI 14: Plastic Piping System Components and Related Materials

NSF/ANSI 61: Drinking water system components - Health effects.

ASSE 1061: Performance requirements for push-fit fitting.

Uniform Plumbing Code (UPC) 2024, 2021, 2018, 2015, 2012, 2009

International Plumbing Code (IPC) 2024, 2021, 2018, 2015, 2012, 2009

International Residential Code (IRC) 2024, 2021, 2018, 2015, 2012, 2009

National Plumbing Code (NPC) 2020, 2015, 2010, 2005

California Plumbing Code (CPC) 2022, 2019, 2016, 2013, 2010

City of Los Angeles Plumbing Code 2023, 2020, 2017

Code of Massachusetts Regulation 248 CMR 10.00 Uniform State Plumbing Code 2017, 2007

Standards:

ANSI / ASME B1.20.1 (pipe-threaded configurations only): Pipe Threads, General Purpose (Inch)