

SUBMITTAL SHEET

JOB NAME		ITEM TAG
JOB LOCATION		PART NUMBER
CONTRACTOR	DATE	
ENGINEER APPROVAL	DATE	

CPVC TRANSITION FITTINGS

CPVC Transition Fitting x Stainless Steel

Permits for a simple transition between threaded piping and CPVC tubing.

Ideal for all residential, commercial and industrial hot and cold water systems.

Eliminates the need for multiple adapters and subsequently, their additional leak-paths and run length.

Available in nominal sizes 1/2" to 2" solvent-weld tubing socket by male or female pipe thread.



Pictured:
FNPT x CPVC



Pictured:
MNPT x CPVC

Working Pressure, Non Shock (PSI)

Cold working pressure (CWP): 100 psi, up to 180° F

Not suitable for steam service.

MATERIAL SPECIFICATION			
PART	MATERIAL	SPECIFICATION	
1	Solvent-weld socket tubing adapter	Virgin CPVC resin	ASTM D1784 Class 23447
2	O-ring	EPDM rubber	Commercial grade
3	Pipe thread adapter	Investment cast stainless steel	AISI Grade 304, CF8

DIMENSIONS - Inch (FNPT x CPVC)			
Size	A	B	C
1/2" FNPT x CPVC	0.99	1.08	1.61
3/4" FNPT x CPVC	1.24	1.27	1.84
1" FNPT x CPVC	1.50	1.55	2.26
1-1/4" FNPT x CPVC	1.88	1.87	2.63
1-1/2" FNPT x CPVC	2.15	2.13	2.92
2" FNPT x CPVC	2.65	2.61	3.47

DIMENSIONS - Inch (MNPT x CPVC)			
Size	A	B	C
1/2" MNPT x CPVC	0.99	1.08	1.85
3/4" MNPT x CPVC	1.24	1.27	2.17
1" MNPT x CPVC	1.50	1.55	2.50
1-1/4" MNPT x CPVC	1.88	1.87	2.87
1-1/2" MNPT x CPVC	2.15	2.13	3.19
2" MNPT x CPVC	2.65	2.61	3.90

Certifications/Listings:

Third-party certified

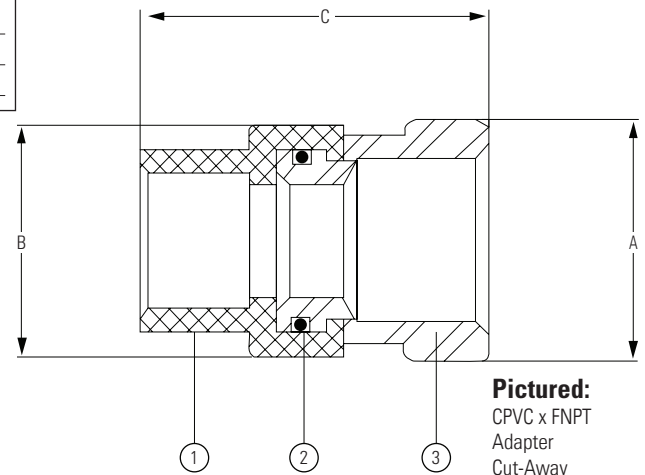
NSF/ANSI 14: Plastic piping system components and related materials.

Standards:

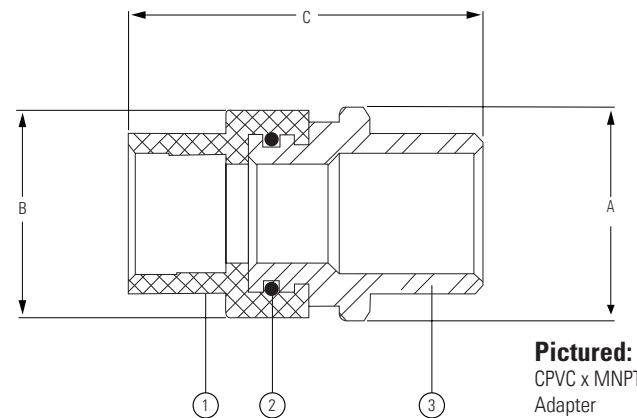
ANSI/ASME B1.20.1: Pipe threads, general purpose, Inch

ASTM D1784: Standard specification for rigid PVC and CPVC compounds

ASTM D2846: Standard specification for PVC and CPVC plastic hot- and cold-water distribution systems



Pictured:
CPVC x FNPT
Adapter
Cut-Away



Pictured:
CPVC x MNPT
Adapter
Cut-Away