

SUBMITTAL SHEET

JOB NAME		ITEM TAG
JOB LOCATION		PART NUMBER
CONTRACTOR	DATE	
ENGINEER APPROVAL	DATE	

CIRCUIT ACTUATOR

Manifold Circuit Actuator - 8330 Series

- Condition in absence of voltage Normally Closed NC.
- First-Open function.*
- Valve working stroke 0.16" (4mm).
- Class II dust protection.
- Opening time at 77°F ≈ 3.5 minutes.
- Working ambient temperature: 32°F - 140°F.
- Storage ambient temperature: -13°F - 140°F.
- Fluid temperature : 0°F - 212°F .
- Mountable in any orientation.
- Valve position indicator on top of valve casing.
- Double insulated electrical enclosure.
- Reliable thermo-electric operation.
- Noiseless and maintenance-free.



Pictured:
Circuit Actuator

Technical Data:

- Supply voltage: 24V
- Max Inrush current: <300mA (7.2VA) for 2 minutes max
- Operating current: 1 Watt (1.0VA)

Opening/Closing time: approx 3.5 minutes

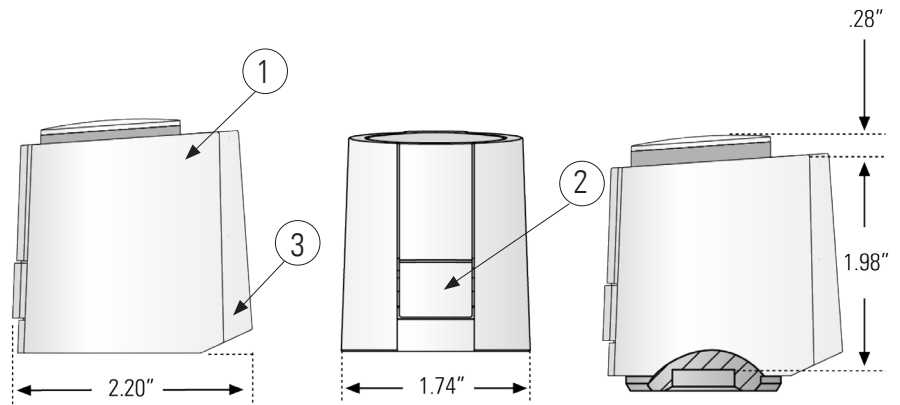
End Switch:

- Normally Open (NO)
- 24V, 0.5mA max
- Makes at about 50% of stroke

Wiring info:

- 24V Power - Yellow wires
- End switch - Red wires

MATERIAL SPECIFICATION	
PART	MATERIAL
1 Casing material	Flame retardant plastic
2 Valve release	Flame retardant plastic
3 Cable connection	Flame retardant plastic
4 Supply cable	4 wire 72" useful length



Pictured:
Circuit Actuator
(Cable not shown)

**With the First-Open Function, the actuator is shipped in the open position, even for the normally-closed actuator. This function makes installations easier, allowing fill and purge of the system without having to remove the actuator. The First-Open function is unlocked by applying power for more than 6 minutes.*