

**SUBMITTAL SHEET**

JOB NAME		ITEM TAG
JOB LOCATION		PART NUMBER
CONTRACTOR	DATE	
ENGINEER APPROVAL	DATE	

**TRUE UNION SOLVENT END PVC CHECK VALVE**

**S-672**

Schedule 40 (pipe sized) solvent end connectors.  
 Can be installed horizontally or vertically.  
 Full-flow design is ideal for sump pump applications.  
 Weighted flapper assures a quick, positive closure.  
 True union design.

**Working Pressure, non-shock:**

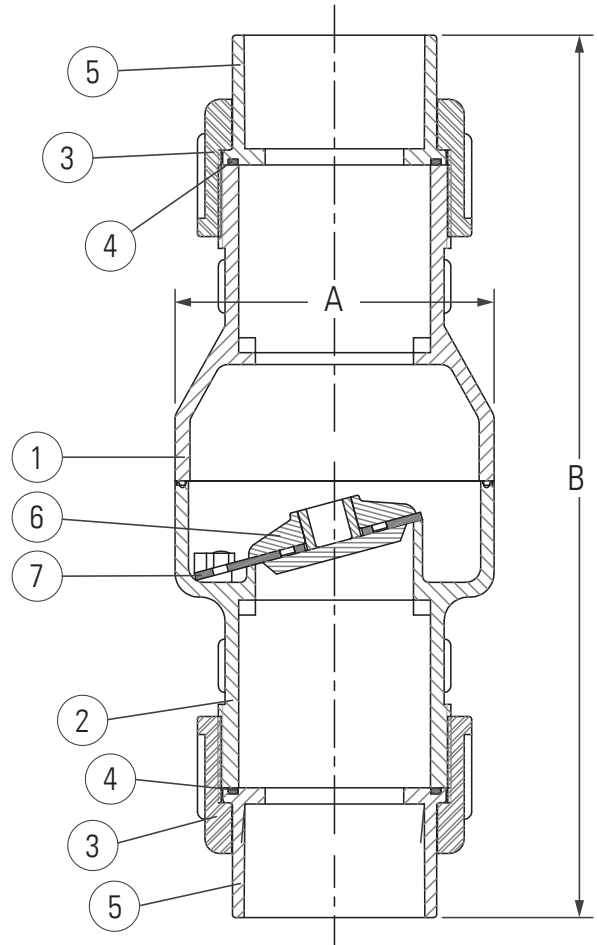
Maximum back pressure: 10 feet of head  
 Maximum service temperature: 130° F



**Pictured:**  
S-672

MATERIAL SPECIFICATION			
PART		MATERIAL	SPECIFICATION
1	Upper body segment	PVC resin	ASTM D1784
2	Lower body segment	PVC resin	ASTM D1784
3	Solvent adapter nut (2)	PVC resin	ASTM D1784
4	O-ring (2)	EPDM	Commercial grade
5	Solvent adapter (2)	PVC resin	ASTM D1784
6	Flapper weight	PVC resin	ASTM D1784
7	Flapper	EPDM	Commercial grade

DIMENSIONS		
Size	A	B
1-1/2"	2.96	7.88
2"	4.13	11.66



**Pictured:**  
S-672  
Cut-away

**Standards:**

ASTM D1784: Standard for Rigid PVC Compounds.