

SUBMITTAL SHEET

JOB NAME	ITEM TAG
JOB LOCATION	PART NUMBER
CONTRACTOR	DATE
ENGINEER APPROVAL	DATE

PVC CHECK/BALL COMBINATION VALVE

S-670

Schedule 40 (pipe-sized) compression x solvent end connections.
 Can be installed horizontally or vertically.
 Full-flow design is ideal for sump pump applications.
 Integral isolation ball valve allows sump pump and check valve servicing.
 EPDM and NBR seals assure long service life.



Pictured:
S-670

Working Pressure, Non-shock:

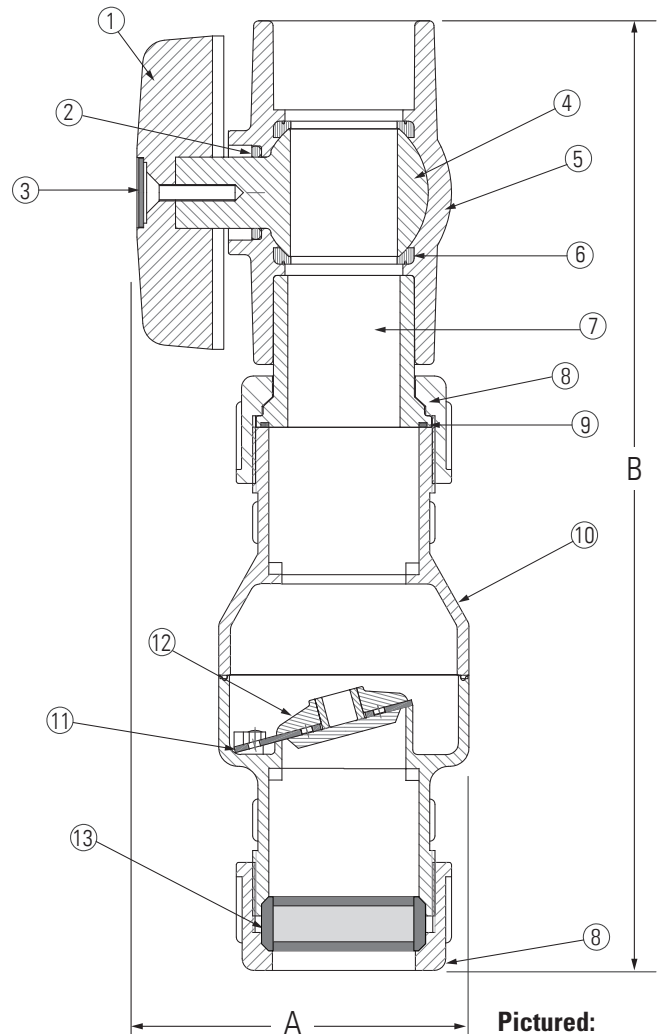
Maximum back pressure: 10 feet of head
 Maximum service temperature: 130° F

MATERIAL SPECIFICATION

PART	MATERIAL	SPECIFICATION
1 Handle	ABS	Impact grade
2 Stem O-ring	EPDM rubber	Commercial grade
3 Handle retaining screw	Zinc plated steel	Commercial grade
4 Ball	UPVC	ASTM D1784
5 Ball valve body	PVC	ASTM D1784
6 Ball valve seat (2)	EPDM rubber	Commercial grade
7 Transition adapter	PVC	ASTM D1784
8 Compression nut	PVC	ASTM D1784
9 Adapter O-ring	EPDM rubber	Commercial grade
10 Check valve body	PVC	ASTM D1784
11 Flapper	EPDM rubber	Commercial grade
12 Flapper weight	PVC	ASTM D1784
13 Compression gasket	NBR Buna-N rubber	Commercial grade

DIMENSIONS

Size	A	B
1-1/2"	4.5"	11.03"
2"	5.5"	16.14"



Pictured:
S-670
Cut-away

Standards:

ASTM D1784: Standard for Rigid PVC compounds.