

## SUBMITTAL SHEET

JOB NAME	ITEM TAG
JOB LOCATION	PART NUMBER
CONTRACTOR	DATE
ENGINEER APPROVAL	DATE

## CPVC BOILER DRAIN

### Model S-619

**Working Pressure, Non Shock (PSI)**

**Cold working pressure (CWP): 150 @ 72 F**

Saturated steam (WSP): Not recommended for steam service

Maximum service temperature: 180 F

*Pictured*  
**S-619**

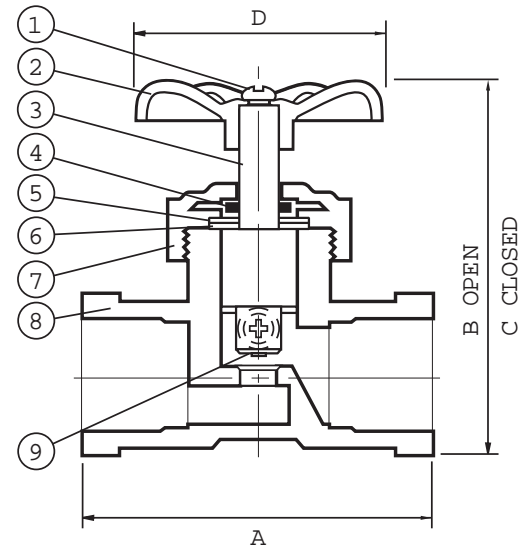


#### MATERIAL SPECIFICATION

PART	MATERIAL	SPECIFICATION
1 Screw	Zinc plated steel	?
2 Hand wheel	Polypropylene	?
3 Stem	CPVC	ASTM D1784
4 O-ring	EPDM	Rubber commercial grade
5 Hard washer	CELCON	?
6 Washer	EPDM	Rubber commercial grade
7 Bonnet	CPVC	ASTM D1784
8 Body	CPVC	ASTM D1784
9 Seat seal	Polyamide nylon 12	?

#### DIMENSIONS

Size	A	B	C	D
1/2"	2.13	4.20	4.02	2.05
3/4"	2.19	4.20	4.02	2.05



*Pictured*  
**S-619**  
Cut-away