

## SUBMITTAL SHEET

JOB NAME	ITEM TAG
JOB LOCATION	PART NUMBER
CONTRACTOR	DATE
ENGINEER APPROVAL	DATE

# CPVC STOP & WASTE VALVE

## Model S-617

**Working Pressure, Non Shock (PSI)**

**Cold working pressure (CWP): 150 @ 72 F**

Saturated steam (WSP): Not recommended for steam service

Maximum service temperature: 180 F



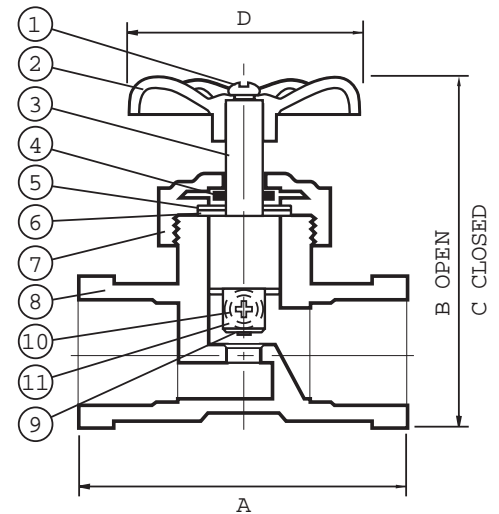
**Pictured  
S-617**

### MATERIAL SPECIFICATION

PART	MATERIAL	SPECIFICATION
1 Screw	Zinc plated steel	?
2 Hand wheel	Polypropylene	?
3 Stem	CPVC	ASTM D1784
4 O-Ring	EPDM	Rubber commercial grade
5 Hard washer	CELCON	?
6 Washer	EPDM	Rubber commercial grade
7 Bonnet	CPVC	ASTM D1784
8 Body	CPVC	ASTM D1784
9 Seat seal	Polyamide nylon 12	?
10 Waste screw	Zinc plated steel	?
11 Waste screw washer	Epdm	Rubber commercial grade

### DIMENSIONS

Size	A	B	C	D
1/2"	2.50	3.63	3.47	2.05
3/4"	2.68	3.78	3.53	2.05



**Pictured  
S-617  
Cut-away**