

SUBMITTAL SHEET

JOB NAME	ITEM TAG
JOB LOCATION	PART NUMBER
CONTRACTOR	DATE
ENGINEER APPROVAL	DATE

MODEL S-602EZ

Two Piece E-Z Turn Model

Max. Service temp: 140°F

Working Pressure, Non Shock (PSI)

Cold working pressure (CWP): 150 PSI @ 73°F

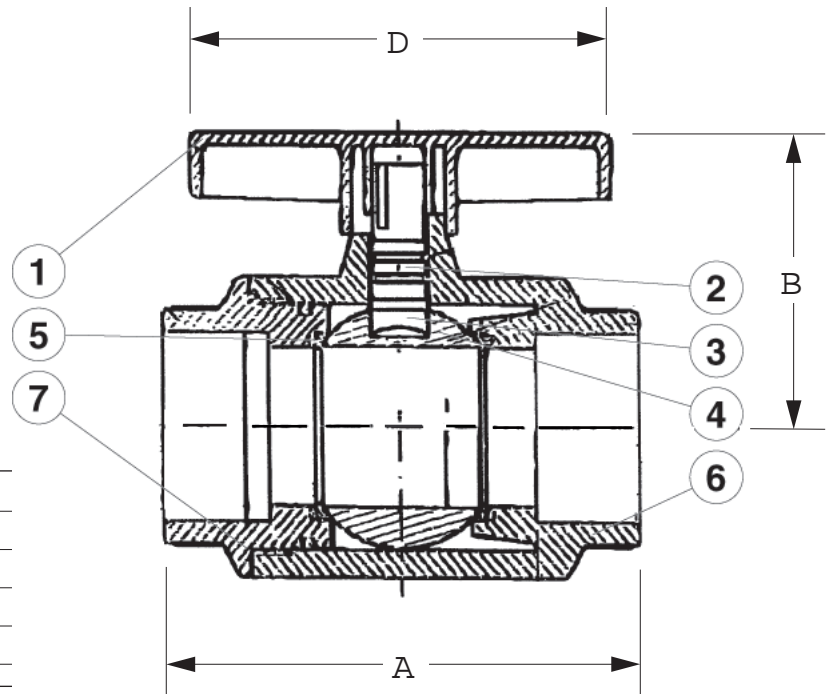


MATERIAL SPECIFICATION

PART	MATERIAL
1 Handle	ABS
2 Stem Packing	EPDM
3 Stem	UPVC
4 Ball	UPVC
5 Seats	* Teflon
6 Body	UPVC
7 End Adapter	UPVC

DIMENSIONS

Size	A	B	C	D
2-1/2"	7.87	4.57	2.50	7.09
3"	8.96	5.06	2.75	8.82
4"	11.81	6.93	3.90	10.91



Pictured S-602EZ
Cut-away