

SUBMITTAL SHEET

JOB NAME	ITEM TAG
JOB LOCATION	PART NUMBER
CONTRACTOR	DATE
ENGINEER APPROVAL	DATE

BRONZE Y-PATTERN CHECK VALVE

T/S-453

Heavy-duty, full-pattern bronze construction resists pipeline stresses and distortion

Y-pattern body permits exceptional flow rates, typically required in commercial applications

Ideal for steam installations

Large, integral seat and disc are tilted inward at 45 degrees to minimize pressure drop

Uni-directional flow: Can be installed in the horizontal (assembly cap upright) or vertical (upward flow only) positions

Forged brass hinge pin assures smooth, non-binding disc operation.

Available in female pipe threaded sizes: 1/2" to 2"
female sweat tubing sizes: 1/2" to 2"

Working Pressure, Non-Shock (PSI)

Cold working pressure (CWP): 300

Saturated steam (WSP): 150

MATERIAL SPECIFICATION

PART	MATERIAL	SPECIFICATION
1 Body	Cast bronze	ASTM B62 UNS C83600
2 Disc	Cast bronze	ASTM B62 UNS C83600
3 Assembly cap	Cast bronze	ASTM B62 UNS C83600
4 Hinge pin	Forged brass	ASTM B16 UNS C36000
5 Pin retaining plug	Forged brass	ASTM B16 UNS C36000

DIMENSIONS

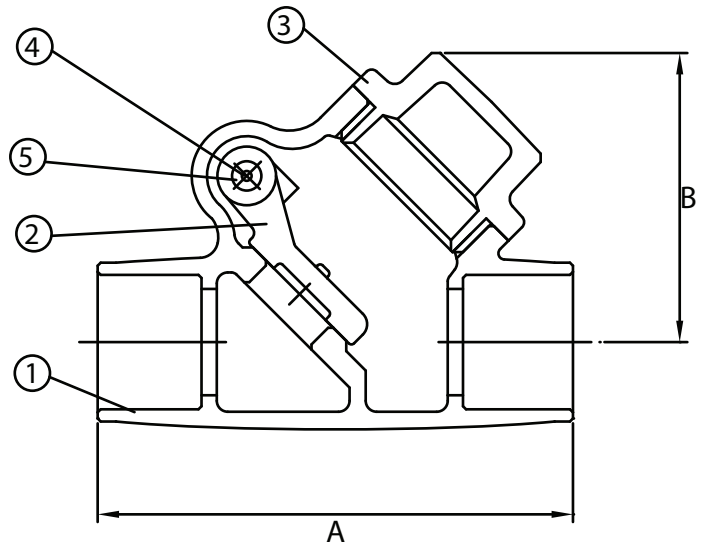
Size	A (IPS)	A (Cx C)	B	CV**
1/2"	2.20	2.68	1.67	3.50
3/4"	2.78	3.41	2.01	6.60
1"	3.15	4.09	2.28	12.00
1-1/4"	3.80	4.72	2.68	22.00
1-1/2"	4.33	5.39	3.07	30.00
2"	5.08	6.69	3.78	50.00

** The CV Factor is the gallons of water per minute passed through the valve with a 1 PSI pressure drop.

- Conforms to MSS SP 80
- Female threaded end connections comply with ANSI/ASME B1.20.1
- Solder cup end connections comply with ANSI/ASME B16.18



- Manufactured in an ISO accredited facility



Pictured
S-453
Cut-away