

SUBMITTAL SHEET

JOB NAME	ITEM TAG
JOB LOCATION	PART NUMBER
CONTRACTOR	DATE
ENGINEER APPROVAL	DATE

BRASS SWING CHECK VALVE

T/S-451

Durable, Full-pattern cast brass body.
 Large, integral seat and disc sealing surfaces.
 Forged brass hinge pin assures smooth, non-binding disc operation.
 T-pattern body permits either vertical (upward flow only) or horizontal (assembly cap upright) installations.

Working Pressure, Non Shock (PSI)

Cold working pressure (CWP): 200 CWP
 Saturated steam (WSP): Not suitable for steam service



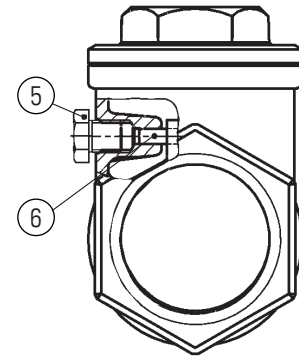
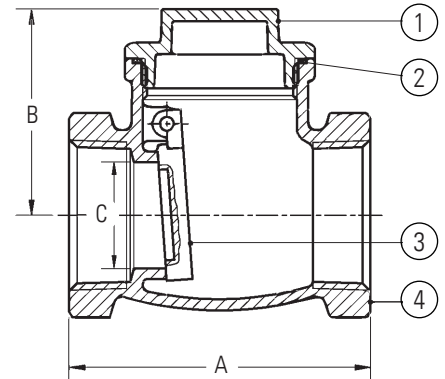
Pictured:
T-451 Cut-away view & Product Photo

MATERIAL SPECIFICATION

PART	MATERIAL	SPECIFICATION
1 Assembly Cap	Cast brass	UNS C37700
2 Gasket	Fiber	Commercial grade
3 Disc	Cast brass	UNS C37700
4 Body	Forged brass	UNS C37700
5 Pin retaining screw	Forged brass	UNS C37700
6 Hinge pin	Forged brass	UNS C37700

DIMENSIONS - Inch

Size	A (NPT)	A (Cx C)	B (NPT)	B (Cx C)	C (NPT)	C (Cx C)	Cv (NPT)	Cv (Cx C)
3/8"	2.09	-	1.42	-	0.50	-	7	-
1/2"	2.09	2.40	1.42	1.42	0.51	0.53	9	11
3/4"	2.36	3.15	1.56	1.56	0.75	0.77	18	21
1"	2.78	3.15	1.77	1.77	0.93	0.93	33	38
1-1/4"	3.19	4.15	2.07	2.07	1.24	1.25	47	62
1-1/2"	3.90	4.57	2.17	2.17	1.38	1.38	56	82
2"	4.12	5.47	2.68	2.68	1.79	1.79	76	96
2-1/2"	5.45	6.89	3.09	3.09	2.30	2.30	130	143
3"	5.85	7.68	3.80	3.80	2.68	2.68	148	160
4"	6.94	9.47	4.17	4.17	3.54	3.54	236	204



T-451 Retaining Screw Cut-away view

Standards:

ANSI/ASME B1.20.1: Pipe threads, general purpose, Inch
 ANSI/ASME B16.18: Cast pressure alloy solder-joint pressure fitting