

## SUBMITTAL SHEET

JOB NAME	ITEM TAG
JOB LOCATION	PART NUMBER
CONTRACTOR	DATE
ENGINEER APPROVAL	DATE

# QUARTER-TURN FIP SILLCOCK

## R-673

Quarter-turn, bubble-tight, positive shutoff  
 Forged brass construction eliminates casting-related leaks  
 More durable than traditional stop-type valves  
 Compact design is ideal for confined applications  
 Superior flow characteristics

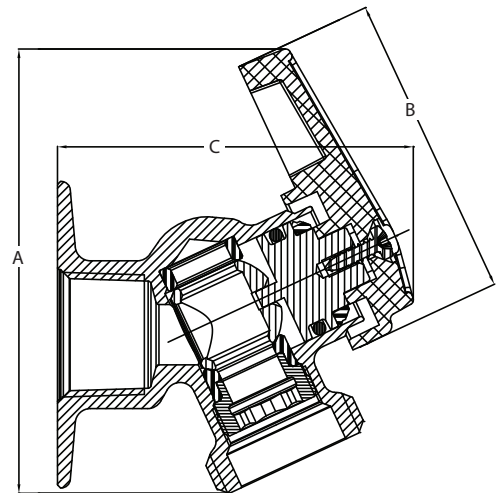
- CSA certified to ANSI / NSF Standards 61-8 and 61-9
- End connections comply with ANSI / ASME B1.20.1 and ASME B1.20.7



Working Pressure, Non-Shock (PSI)  
 CWP: Max 200  
 Saturated Steam: Not suitable for steam service

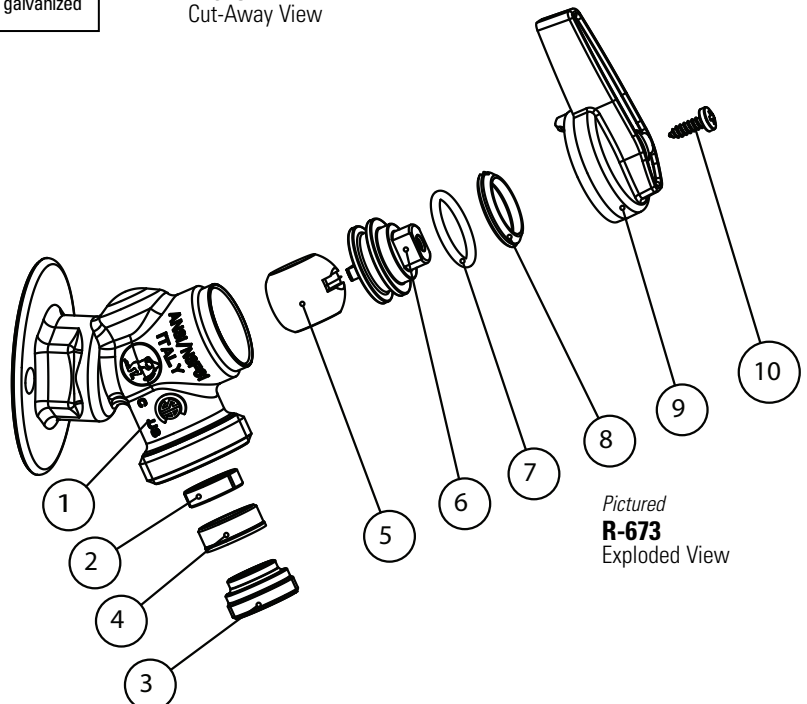
MATERIAL SPECIFICATION		
PART	MATERIAL	SPECIFICATION
1 Body	Forged brass	ASTM B124 UNS C37700
2 Upstream seat	PTFE	Dupont Teflon*
3 Seat retainer	Forged brass	ASTM B124 UNS C37700
4 Downstream seat	PTFE	Dupont Teflon*
5 Ball	Forged brass	ASTM B124 UNS C37700
6 Stem	Forged brass	ASTM B124 UNS C37700
7 Stem O-ring	EPDM rubber	EP851
8 Anti-friction washer	Acetal resin	Copolymer 90
9 Handle	Aluminum	Commercial grade
10 Handle screw	Carbon Steel	Commercial grade, galvanized

\*Teflon™ is a registered trademark of Dupont



Pictured  
**R-673**  
 Cut-Away View

DIMENSIONS			
Size	A	B	C
1/2"	2.89	2.00	2.33
3/4"	2.96	2.00	2.33



Pictured  
**R-673**  
 Exploded View

## SUBMITTAL SHEET

JOB NAME	ITEM TAG
JOB LOCATION	PART NUMBER
CONTRACTOR	DATE
ENGINEER APPROVAL	DATE

# LEAD-FREE QUARTER-TURN SILLCOCK

## R-673NL and R-674NL

Lead-free design is suitable for all no-lead potable water installations, in full compliance of all lead-free plumbing laws.

Quarter-turn, bubble-tight positive shutoff.

Forged brass construction eliminates casting-related leaks.

More durable than traditional stop-type valves.

Compact design is ideal for confined applications.

Superior flow characteristics.

All 3/4" GHT (garden hose) outlets accept 3/4" hose-thread-mounted vacuum breakers\*, including our Models T-553NL, T-553CNL, T-554, T-555, T-556, T-557 and T-557C.

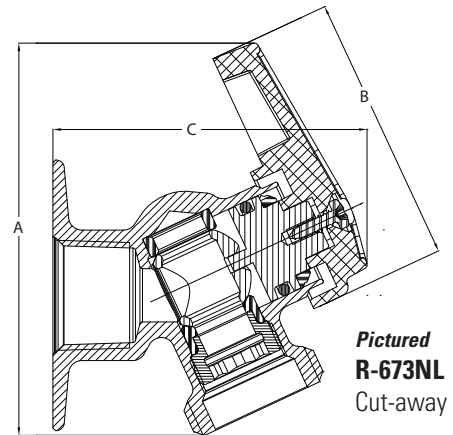
Available in nominal 1/2" and 3/4" FNPT or CTS inlet x 3/4" MGH outlet sizes

*\*These vacuum breaker models are not included with the valves and do not appear on this submittal sheet. Please check your local backflow prevention code requirements and contact Legend for additional submittal information.*

### Working Pressure, Non Shock (PSI)

Cold working pressure (CWP): 200 p.s.i.  
Saturated steam (WSP): Not suitable for steam service

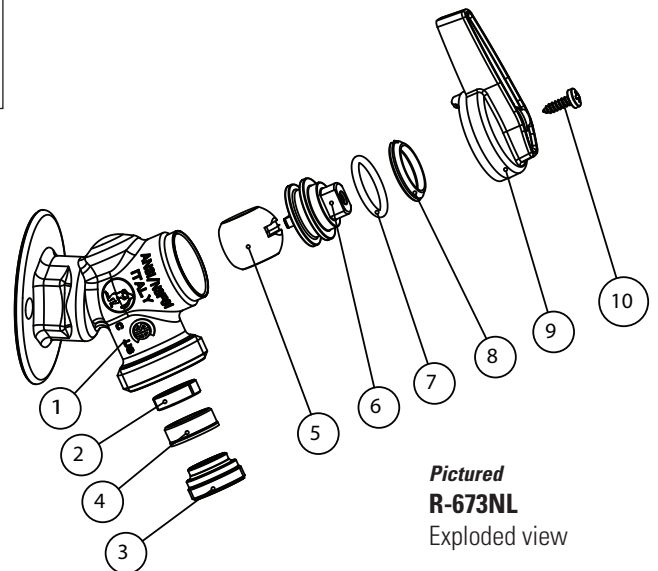
- Third-party tested and certified in compliance with U.S. Federal Public Law 111-380 (National lead-free plumbing law).
- NSF certified to ANSI / NSF Standard 61 Annex G. Meets NSF 372 lead content requirements.
- CSA certified for Canadian plumbing applications.
- End connections comply with the following specifications:
  - ANSI / ASME B1.20.1 (FNPT)
  - ANSI / ASME B16.18 (CTS)
  - ASME B1.20.7 (Male garden hose)
- Manufactured in an ISO accredited facility



MATERIAL SPECIFICATION			
PART	MATERIAL	SPECIFICATION	
1	Body	Lead-free forged brass	CW 510L UNS C28500
2	Downstream seat	Polyamide	PAG Nylon*
3	Seat retainer	Lead-free forged brass	CW 510L UNS C28500
4	Upstream seat	PTFE	Teflon*
5	Ball	Lead-free forged brass	CW 510L UNS C28500
6	Stem	Lead-free forged brass	CW 510L UNS C28500
7	Stem o-ring	EPDM rubber	Commercial grade
8	Anti-friction washer	Acetal resin	POM, Commercial grade
9	Handle	Aluminum	Commercial grade
10	Handle fastener	Carbon Steel	Commercial grade, galvanized

\*Teflon and Nylon are registered trademarks of DuPont.

DIMENSIONS			
Size	A	B	C
<b>R-673NL (FNPT)</b>			
1/2"	2.88	2.00	2.33
3/4"	2.88	2.00	2.33
<b>R-674NL (CTS)</b>			
1/2"	2.88	2.00	2.88
3/4"	2.88	2.00	2.75



**Pictured R-673NL**  
Exploded view