

SUBMITTAL SHEET

JOB NAME	ITEM TAG
JOB LOCATION	PART NUMBER
CONTRACTOR	DATE
ENGINEER APPROVAL	DATE

LEAD-FREE QUARTER-TURN NO-KINK HOSE BIBB

R-671NL



**Pictured
R-671NL**

Lead-free design is suitable for all no-lead potable water installations, in full compliance of all lead-free plumbing laws.

Quarter-turn, bubble-tight positive shutoff.

Forged brass construction eliminates casting-related leaks.

More durable than traditional stop-type valves.

Superior flow characteristics.

All 3/4" GHT (garden hose) outlets accept 3/4" hose-thread-mounted vacuum breakers*, including our Models T-553NL, T-553CNL, T-554, T-555, T-556, T-557 and T-557C.

Available in nominal 1/2" and 3/4" MNPT inlet x 3/4" MGHT outlet sizes. The 1/2" model is combination 1/2" MNPT and 1/2" Sweat.

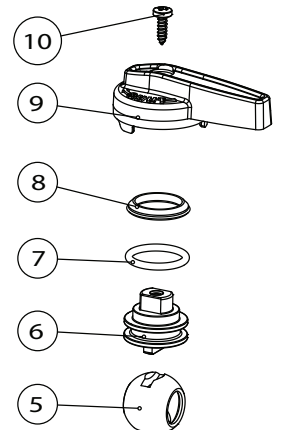
**These vacuum breaker models are not included with the valves and do not appear on this submittal sheet. Please check your local backflow prevention code requirements and contact Legend for additional submittal information.*

Working Pressure, Non Shock (PSI)

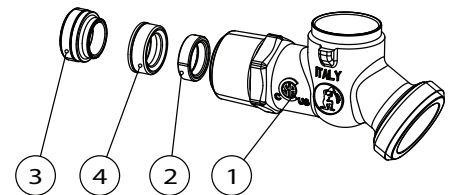
Cold working pressure (CWP): 200 p.s.i.

Saturated steam (WSP): Not suitable for steam service

- Third-party tested and certified in compliance with U.S. Federal Public Law 111-380 (National lead-free plumbing law).
- NSF certified to ANSI / NSF Standard 61-G . Meets NSF 372 lead content requirements.
- CSA certified for Canadian plumbing applications.
- End connections comply with:
 - ANSI / ASME B1.20.1 (MNPT)
 - ANSI / ASME B1.20.7 (CTS solder)
- Manufactured in an ISO accredited facility



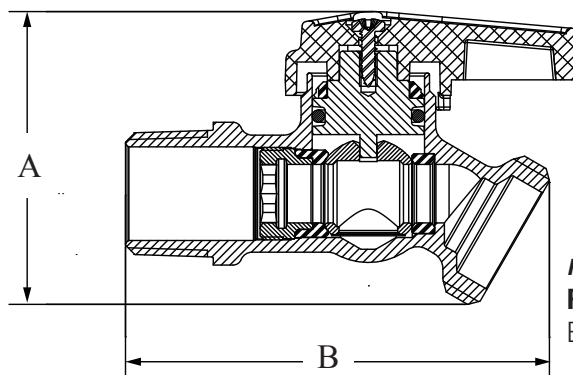
**Pictured
R-671NL
Cut-away**



MATERIAL SPECIFICATION		
PART	MATERIAL	SPECIFICATION
1 Body	Lead-free forged brass	CW 510L UNS Alloy C28500
2 Upstream seat	Polyamide	PA6 Nylon*
3 Seat retainer	Lead-free forged brass	CW 510L UNS Alloy C28500
4 Downstream seat	PTFE	Teflon*
5 Ball	Lead-free forged brass	CW 510L UNS Alloy C28500
6 Stem	Lead-free forged brass	CW 510L UNS Alloy C28500
7 Stem O-ring	EPDM rubber	Commercial grade
8 Anti-friction washer	Acetal resin	POM, Commercial grade
9 Handle	Aluminum	Commercial grade
10 Handle fastener	Carbon steel	Commercial grade, galvanized

*Teflon and Nylon are registered trademarks of DuPont.

DIMENSIONS		
Size	A	B
1/2"	1.97	2.85
3/4"	1.97	2.85



**Pictured
R-671NL
Exploded view**