

SUBMITTAL SHEET

JOB NAME		ITEM TAG
JOB LOCATION		PART NUMBER
CONTRACTOR	DATE	
ENGINEER APPROVAL	DATE	



LEAD-FREE COPPER STUBOUT

F1960 Copper Stubout

These stubouts are intended for use in cold- and hot-water distribution (potable) systems.

Barbed end connections are designed for insertion into PEX & PE-RT tubing that conforms to ASTM F876 & F877 (PEX) or F2769 (PE-RT).

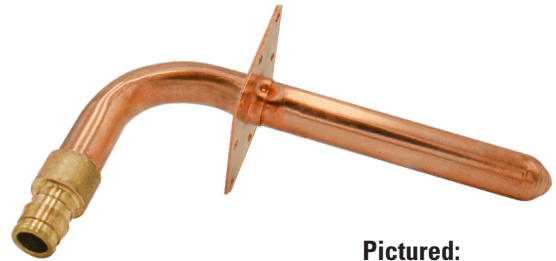
Designed for use with Cold Expansion rings manufactured in compliance with ASTM F1960

Available with a nailing flange for mounting to a wall stud for support.

1/2" nominal PEX x Type L Copper Tube.

Working Pressure, Non Shock (PSI)

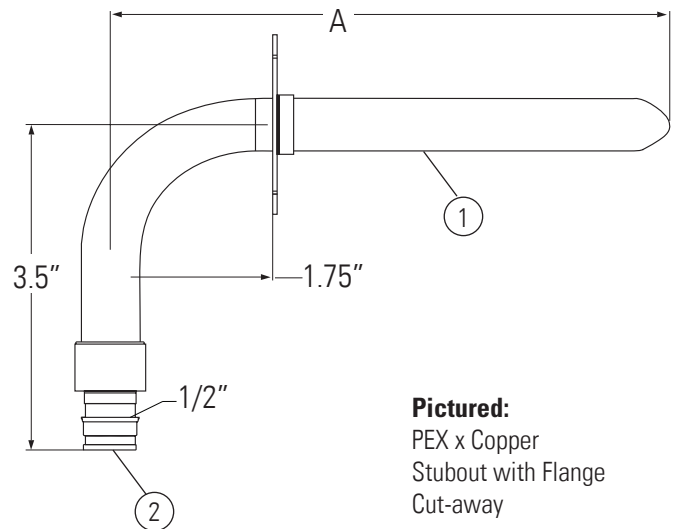
Working Pressure, Non Shock (PSI): 125 psi @ 180°F



Pictured:
PEX x Copper
Stubout with Flange

MATERIAL SPECIFICATION		
PART	MATERIAL	SPECIFICATION
1	All copper parts	Wrought copper alloy ASTM B75 C12200
2	F1960 adapter	No Lead Forged Brass UNS Alloy C46500

DIMENSIONS	
Size	A
Bare Stub out	
6" Closed	6"
8" Closed	8"
Stub out w/ Flange	
6" Closed	6"
8" Closed	8"



Pictured:
PEX x Copper
Stubout with Flange
Cut-away

Certifications/Listings:

Third-party certified.
ANSI/NSF 14: Plastic Piping System Components and Related Materials.
NSF/ANSI 61: Drinking water system components - Health effects.
NSF/ANSI 372: Drinking water system components - Lead content
CSA C137.5: Thermoplastic Pressure Piping Compendium

Standards:

ASTM F1960: Cold expansion fittings with PEX reinforcing rings.