

SUBMITTAL SHEET

JOB NAME	ITEM TAG
JOB LOCATION	PART NUMBER
CONTRACTOR	DATE
ENGINEER APPROVAL	DATE

NO LEAD QUARTER-TURN PRESS-TO-CONNECT CHROME SUPPLY STOP

P-595NL & P-596NL Press-to-Connect

Quarter-turn, self-cleaning ball valve design resists mineral and scale build-up, assuring positive shutoff and re-opening.

The ball-seat operation and dual O-ring stem seal features, out-perform traditional multi-turn stop designs.

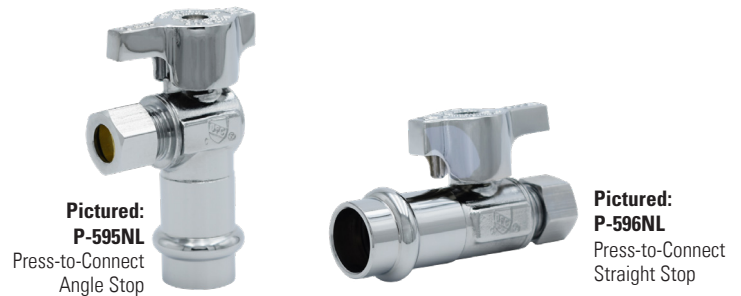
Compact, chrome plated, forged brass bodies are both durable and decorative.

Manufactured for installation onto ASTM B88 types K, L and M hard-drawn copper tubing.

VUS pattern press-connection tubing sockets.

Working Pressure, Non Shock (PSI)

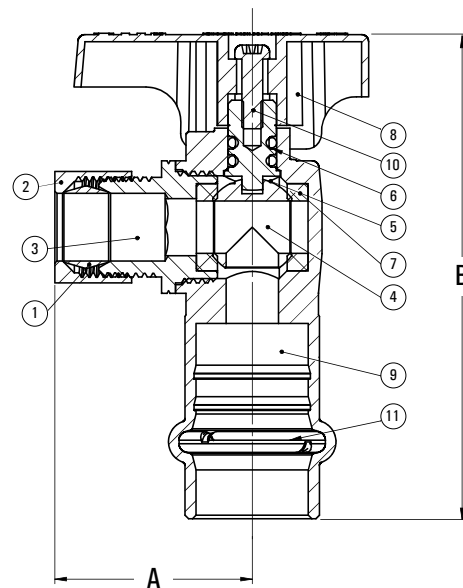
Cold working pressure (CWP): 125 CWP
Maximum service temperature: 180° F



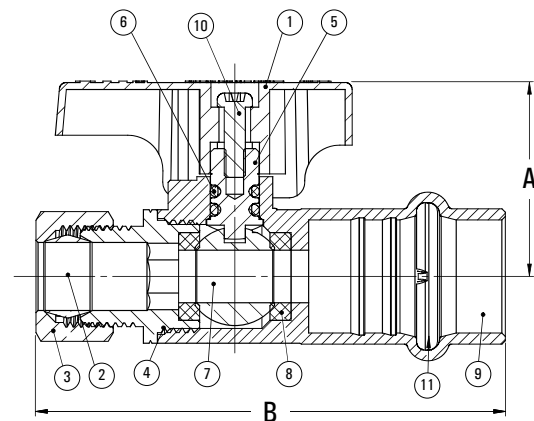
MATERIAL SPECIFICATION			
PART		MATERIAL	SPECIFICATION
1	Compression ferrule	Brass	H62
2	Compression Nut	Chrome plated brass	UNS Alloy C37700
3	End adapter	Lead-free chrome plated brass	UNS Alloy C46500
4	Ball	Lead-free chrome plated brass	UNS Alloy C46500
5	Stem	Lead-free chrome plated brass	UNS Alloy C46500
6	Stem o-ring (2)	EPDM rubber	Commercial grade
7	Seat (2)	PTFE	Commercial grade
8	Handle	Chrome plated zinc	ASTM B86
9	Body	Lead-free chrome plated brass	UNS Alloy C46500
10	Screw	Stainless steel	AISI 201
11	Press o-ring	EPDM rubber	Commercial Grade

DIMENSIONS - Inch			
P-595NL Angle			
SIZE	A	B	
1/2" Press x 1/4" OD	1.21	2.74	
1/2" Press x 3/8" OD	1.14	2.74	
P-596NL Straight			
SIZE	A	B	
1/2" Press x 1/4" OD	1.09	2.73	
1/2" Press x 3/8" OD	1.09	2.63	

The insertion depth on all sizes is 1-1/8".



Pictured: P-595NL
Press-to-Connect Angle Stop
Cut-away view



Pictured: P-596NL
Press-to-Connect Straight Stop
Cut-away view

Certifications/Listings:

Third-party certified.
NSF/ANSI 61: Drinking water system components health effects.
NSF/ANSI 372: Drinking water system components lead content.

Standards:

ANSI/ASME B16.51: Copper and copper alloy press-connect pressure fittings.