

SUBMITTAL SHEET

JOB NAME	ITEM TAG
JOB LOCATION	PART NUMBER
CONTRACTOR	DATE
ENGINEER APPROVAL	DATE

NO LEAD MULTI-TURN FROSTFREE SILLCOCK

T-552NL, T-552PNL, and P-552NL

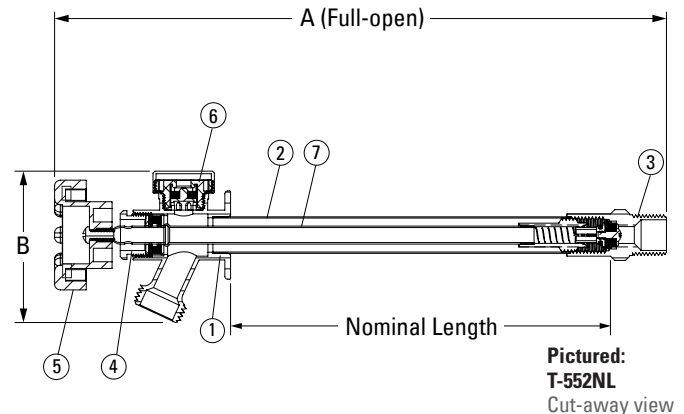
Durable chrome-plated body offers superior corrosion resistance over unplated versions.
 Extended-hub handwheel moves the operator's hands away from the sharp hose bibb threads.
 Equipped with an anti-siphon vacuum breaker and internal check valve, to prevent backflow into the potable water system.¹
 Available in various connection types, in 4", 6", 8", 10", 12" and 14" nominal lengths.



MATERIAL SPECIFICATION		
PART	MATERIAL	SPECIFICATION
1 Exterior body	Lead-free brass, chrome plated	UNS Alloy C6802
2 Outer tube	Lead-free brass, chrome plated	UNS Alloy C27000
3 End adapter	Lead-free brass, chrome plated	UNS Alloy C46400
4 Bonnet nut	Forged brass, chrome plated / Other	UNS Alloy C36000
5 Handwheel	Cast zinc-aluminum, coated	ASTM B86
6 Vacuum breaker assembly	Various	—
7 Stem assembly	Lead-free brass / Other	UNS Alloy C27000 / Other



DIMENSIONS - Inch						
	A (full-open)	A (full-open)	A (full-open)	A (full-open)	A (full-open)	B
Nominal Length	1/2" MNPT x 1/2" Swt.	3/4" MNPT x 1/2" FNPT	1/2" PEX (F1807)	1/2" PEX (F1960)	1/2" Press	
4"	8.8"	—	8.8"	8.9"	—	3.00
6"	10.8"	—	10.8"	10.9"	—	3.00
8"	12.8"	12.8"	12.8"	12.9"	13.38"	3.00
10"	14.8"	14.8"	14.8"	14.9"	15.38"	3.00
12"	16.8"	16.8"	16.8"	16.9"	17.38"	3.00
14"	18.8"	—	18.8"	18.9"	—	3.00



Certifications/Listings:

Third-Party certified.
 NSF / ANSI 61: Drinking water system components health effects.
 ASSE 1019-A: Performance requirements for wall hydrant with backflow protection and freeze resistance.

Standards:

ANSI / ASME B1.20.1: Pipe threads, general purpose, inch (MNPT & FNPT).
 ANSI / ASME B16.18: Cast pressure alloy-solder-joint pressure fitting (CTS solder).
 ASTM F1807: Metal insert fittings utilizing a copper crimp ring or stainless steel clamps.
 ASTM F1960: Cold expansion fittings with PEX reinforcing rings.
 ANSI / ASME B16.51: Copper and copper alloy press-to-connect pressure fittings.
 ANSI / ASME B1.20.7 (male garden hose outlet).

¹This device must not be subjected to more than 12 hours of continuous water pressure. The hose must be removed in order to prevent damage from freezing.