

SUBMITTAL SHEET

JOB NAME	ITEM TAG
JOB LOCATION	PART NUMBER
CONTRACTOR	DATE
ENGINEER APPROVAL	DATE

MULTI-TURN FROSTFREE SILLCOCK

T-552, T-552P, and P-552

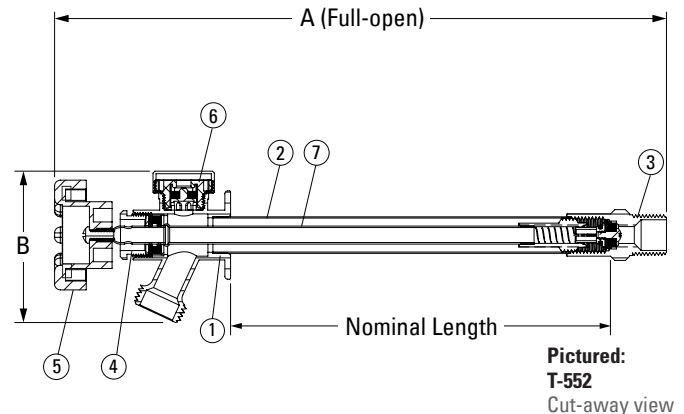
Durable chrome-plated body offers superior corrosion resistance over unplated versions. Extended-hub handwheel moves the operator's hands away from the sharp hose bibb threads. Equipped with an anti-siphon vacuum breaker and internal check valve, to prevent backflow into the potable water system.¹ Available in various connection types, in 4", 6", 8", 10", 12" and 14" nominal lengths.



MATERIAL SPECIFICATION			
PART	MATERIAL	SPECIFICATION	
1 Exterior body	Brass, chrome plated	UNS Alloy C85700	
2 Outer tube	Brass, chrome plated	UNS Alloy C26000	
3 End adapter	Brass, chrome plated	UNS Alloy C85700	
4 Bonnet nut	Forged brass, chrome plated / Other	UNS Alloy C36000	
5 Handwheel	Cast zinc-aluminum, coated	ASTM B86	
6 Vacuum breaker assembly	Various	-	
7 Stem assembly	Brass / Other	UNS Alloy C26000 / Other	



DIMENSIONS - Inch						
Nominal Length	A (full-open)	A (full-open)	A (full-open)	A (full-open)	A (full-open)	B
	1/2" MNPT x 1/2" Swt.	3/4" MNPT x 1/2" FNPT	1/2" PEX (F1807)	1/2" PEX (F1960)	1/2" Press	
4"	8.8"	-	8.8"	8.9"	-	3.00
6"	10.8"	-	10.8"	10.9"	-	3.00
8"	12.8"	12.8"	12.8"	12.9"	13.38"	3.00
10"	14.8"	14.8"	14.8"	14.9"	15.38"	3.00
12"	16.8"	16.8"	16.8"	16.9"	17.38"	3.00
14"	18.8"	-	18.8"	18.9"	-	3.00



Certifications/Listings:

Third-Party certified.
ASSE 1019-A: Performance requirements for wall hydrant with backflow protection and freeze resistance.

Standards:

ANSI / ASME B1.20.1: Pipe threads, general purpose, inch (MNPT & FNPT).
ANSI / ASME B16.18: Cast pressure alloy-solder-joint pressure fitting (CTS solder).
ASTM F1807: Metal insert fittings utilizing a copper crimp ring or stainless steel clamps.
ASTM F1960: Cold expansion fittings with PEX reinforcing rings.
ANSI / ASME B16.51: Copper and copper alloy press-to-connect pressure fittings.
ANSI / ASME B1.20.7 (male garden hose outlet).

¹This device must not be subjected to more than 12 hours of continuous water pressure. The hose must be removed in order to prevent damage from freezing.