

## SUBMITTAL SHEET

JOB NAME		ITEM TAG	
JOB LOCATION		PART NUMBER	
CONTRACTOR	DATE		
ENGINEER APPROVAL	DATE		



# LEAD-FREE CPVC TRANSITION FITTINGS

## CPVC No-Lead Transition Fittings x PEX

Permits for a simple transition between PEX piping and CPVC tubing.  
Ideal for all residential, commercial and industrial hot and cold water systems.

Eliminates the need for multiple adapters and subsequently, their additional leak-paths and run length.

Available in nominal sizes 1/2" to 2" solvent-weld tubing socket by PEX; F1807 and F1960.

### Working Pressure, Non Shock (PSI)

Cold working pressure (CWP): 100 psi, up to 180° F  
Saturated steam (WSP): Not suitable for steam service



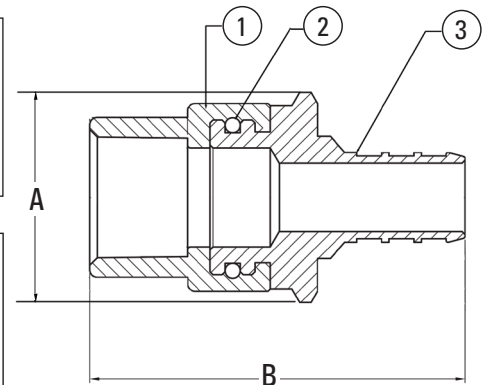
**Pictured:**  
CPVC x F1807



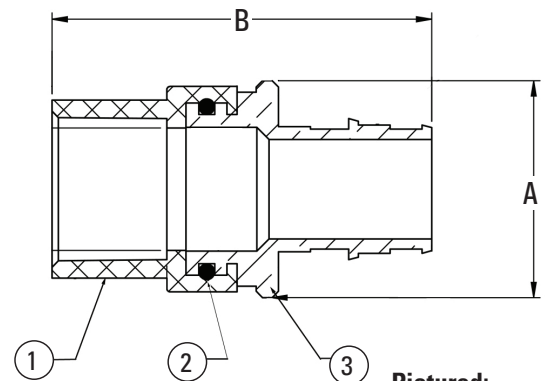
**Pictured:**  
CPVC x F1960

MATERIAL SPECIFICATION			
PART		MATERIAL	SPECIFICATION
1	Solvent-weld socket tubing adapter	Virgin PVC resin	ASTM D1784 Class 23447
2	O-ring	EPDM rubber	Commercial grade
3	Pipe thread adapter	Lead-free forged brass	UNS Alloy C46400

DIMENSIONS - Inch					
Size (F1807)	A	B	Size (F1960)	A	B
1/2" F1807 x CPVC	0.99	1.91	1/2" F1960 x CPVC	0.99	1.91
3/4" F1807 x CPVC	1.22	2.30	3/4" F1960 x CPVC	1.22	2.34
1" F1807 x CPVC	1.38	2.80	1" F1960 x CPVC	1.44	2.90



**Pictured:**  
F1807 x CPVC  
Cut-away



**Pictured:**  
F1960 x CPVC  
Cut-away

### Certifications/Listings:

Third-party certified.  
NSF/ANSI 14: Plastic piping system components and related materials.

### Standards:

ASTM D1784: Standard specification for rigid PVC and CPVC compounds  
ASTM D2846: Standard specification for PVC and CPVC plastic hot- and cold-water distribution systems  
ASTM F1807: Metal insert fittings utilizing a copper crimp ring or stainless steel clamps  
ASTM F1960: Cold expansion fittings with PEX reinforcing rings.