

## SUBMITTAL SHEET

JOB NAME		ITEM TAG
JOB LOCATION		PART NUMBER
CONTRACTOR	DATE	
ENGINEER APPROVAL	DATE	

## ECONOMY STAINLESS STEEL MANIFOLD

### M-8300E

Designed for use in place of field built copper headers.

EPDM o-ring seals at all connections

Packaged with mounting brackets, end plugs & MNPT header adapter.

Can be used with most of the stainless steel manifold accessories.

- Manifold Connection: 1" MNPT Male Threads with the provided header adapters.



**Pictured:**  
M-8300E

### Specifications:

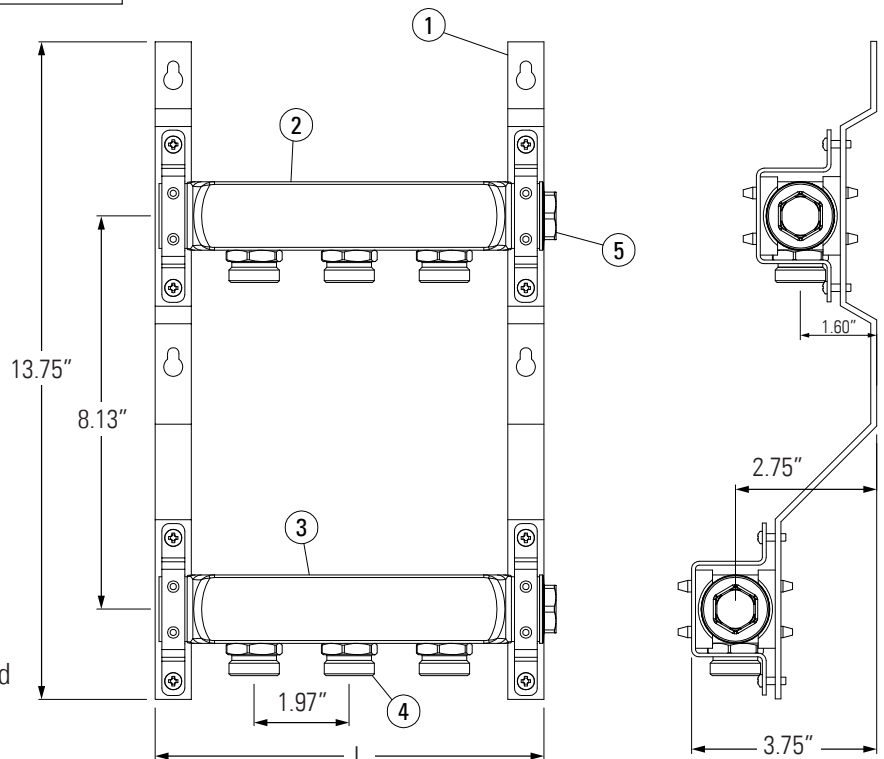
Max Working Pressure, Non-Shock:	125 psi
Max Working Temperature:	230° F
Max Flow:	16 gpm Per Manifold

### MATERIAL SPECIFICATION

PART	MATERIAL	QTY
1 Mounting Bracket	Galvanized Steel	2
2 Supply Manifold	304 Stainless Steel	1
3 Return Manifold	304 Stainless Steel	1
4 Tubing Port Connection	Forged Brass Nickel Plated UNS 38500	4 to 24
5 End Plug	Forged Brass Nickel Plated UNS 38500	2

### DIMENSIONS

No. of Circuits	L (in.)
2	4.96"
3	6.93"
4	8.90"
5	10.87"
6	12.83"
7	14.80"
8	16.77"
9	18.74"
10	20.71"
11	22.68"
12	24.65"



**Pictured:**  
M-8300E Economy Manifold  
3-Circuit Manifold