

SUBMITTAL SHEET

JOB NAME	ITEM TAG
JOB LOCATION	PART NUMBER
CONTRACTOR	DATE
ENGINEER APPROVAL	DATE

HIGH CAPACITY MANIFOLD

M-8220

High flow capacity

Extruded from high-strength OT63 alloy-63% copper content

Header Isolation valves with threaded or Legend-Press™ connections

Manifold unions are available to expand the number of circuit loops

Mounting Bracket included, one pair per header (2-port headers use single bracket per header)

Insulation jackets available for headers

Automatic Air Vent and GHT fill/purge assemblies included

Manifold connections:

1-1/2" female NPT or Legend Press on manifold header isolation ball valves

1" female NPT on loop isolation ball valves

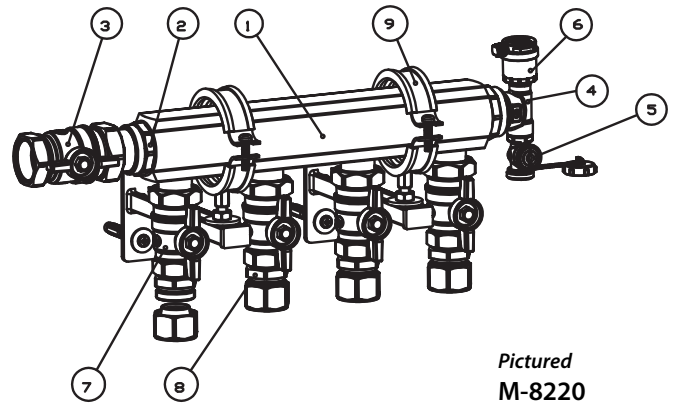
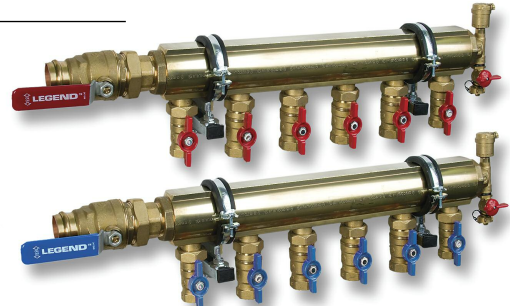
3/4" or 1" compression connectors for PEX or copper tubing available separately

Specifications :

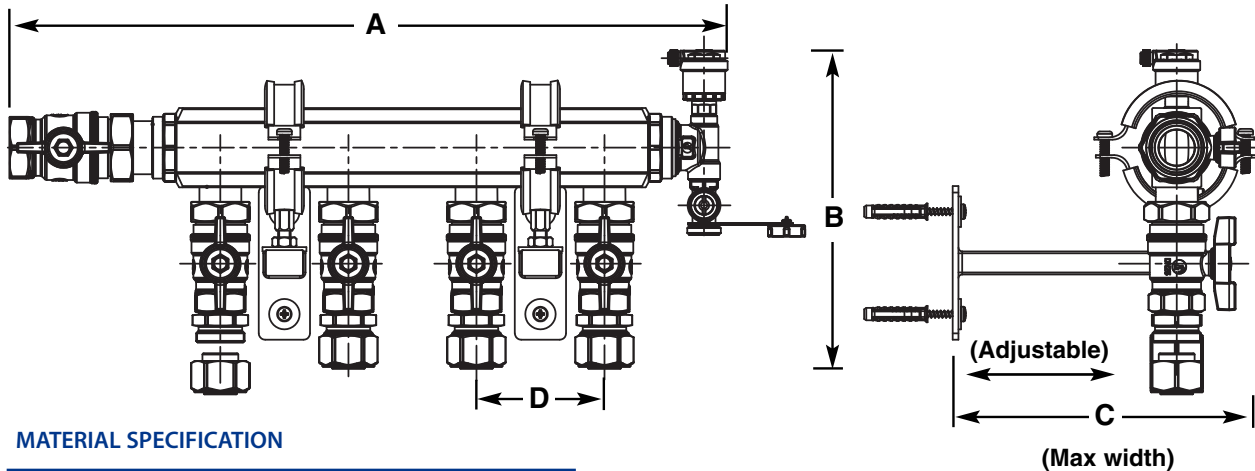
Max Working Pressure, Non-Shock: 125 psi

Max Working Temp: 230° F

Max Flow: 10 - 15 gpm per circuit @ 4 ft. of hd. pressure drop (approx.)



Pictured
M-8220
 4 ports



MATERIAL SPECIFICATION

PART	MATERIAL	QTY
1 2" x 1" or 1-1/2" x 1"	Brass B124 UNS C37700	2
2 Reducer 2" x 1-1/2"	Brass B124 UNS C37700	2
3 Isolation Valves w/Tail Piece 1-1/2" or 1-1/4"	Brass B124 UNS C37700	1
4 Manifold end Piece	Brass B124 UNS C37700	1
5 Fill & Purge Valve	Brass B124 UNS C37700	1
6 Auto Air Vent w/Check Stop	Brass B124 UNS C37700	1
7 Ball Valve w/Tail Piece 1" x 1" or 1" x 3/4"	Brass B124 UNS C37700	2 thru 8
8 Split Ring Compression Connectors	Brass B124 UNS C37700	2 thru 8
9 Mounting Brackets	Galvanized Steel	1 set

DIMENSIONS

No. of Ports	A	B	C*	D
2	14-1/2"	10-1/4"	8-1/2"	4"
3	18-1/2"	10-1/4"	8-1/2"	4"
4	22-1/2"	10-1/4"	8-1/2"	4"
5	26-1/2"	10-1/4"	8-1/2"	4"
6	30-1/2"	10-1/4"	8-1/2"	4"
7	34-1/2"	10-1/4"	8-1/2"	4"
8	38-1/2"	10-1/4"	8-1/2"	4"

* Max width.