

SUBMITTAL SHEET

JOB NAME	ITEM TAG
JOB LOCATION	PART NUMBER
CONTRACTOR	DATE
ENGINEER APPROVAL	DATE

MODULAR PRO MANIFOLD

M-8000P w/ Integrated Adapter

EPDM o-ring seals at all connections.

Includes all-in-one Integrated Adapter with isolation ball valve, automatic air vent, fill/purge valve and thermometer.

Integrated check valve in each automatic air vent port.

Built in circuit isolation valves.

0-2 gpm flow indicators (gauges) for each circuit.

Integrated balancing valves with memory stop.

Steel header brackets for mounting virtually any orientation.

Rotate individual moduals to feed in opposite directions, as required.

Removable handles for mounting circuit actuators (sold separately) as project requires.

Manifold connection:

1" NPT or 1 1/4" NPT on manifold isolation ball valves.

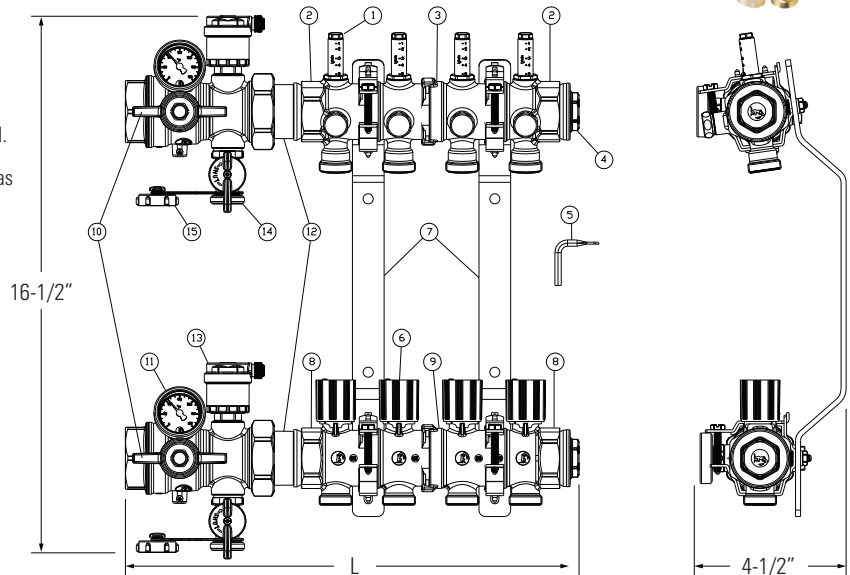
Specifications:

Max Working Pressure, Non Shock: 125 psi
Max Working Temp: 230° F

Max Flow: 1" - 2 gpm per circuit up to 16 gpm
Maximum of 12 circuits.
1-1/4" - 2 gpm per circuit up to 20 gpm
Maximum of 14 circuits.



Pictured:
M-8000P



Pictured:
M-8000P

4-Circuit manifold

MATERIAL SPECIFICATION

PART	MATERIAL	QTY	
1	Flow Meter	High-Temperature Polymer	2 to 14
2	Supply End Pair	Brass B124 UNS C37700	1
3	Supply Expansion	Brass B124 UNS C37700	0 to 12
4	Manifold End Plug	Brass B124 UNS C37700	2
5	Hex Key	Chrome Plated Steel	1
6	Circuit Valve	High-Temperature Polymer	2 to 14
7	Mounting Bracket	Galvanized Steel	2
8	Return End Pair	Brass B124 UNS C37700	1
9	Return Expansion	Brass B124 UNS C37700	0 to 12
10	Isolation Valves	Brass B124 UNS C37700	2
11	Thermometer	Aluminum Case / Glass Face	2
12	Tailpiece	Brass B124 UNS C37700	2
13	Air Vent	Brass B124 UNS C37700	2
14	Fill & Purge Valve	Brass B124 UNS C37700	2
15	Brass Cap	Brass B124 UNS C37700	2

DIMENSIONS

No. of Outlets	L	
	1" Manifold	1 1/4" Manifold
2	9	9 - 3/4
3	11	11 - 3/4
4	13	13 - 3/4
5	15	15 - 3/4
6	17	17 - 3/4
7	19	19 - 3/4
8	21	21 - 3/4
9	23	23 - 3/4
10	25	25 - 3/4
11	27	27 - 3/4
12	29	29 - 3/4
13	-	31 - 3/4
14	-	33 3/4