

SUBMITTAL SHEET

JOB NAME	ITEM TAG
JOB LOCATION	PART NUMBER
CONTRACTOR	DATE
ENGINEER APPROVAL	DATE

CIRCUIT ACTUATOR WITH END SWITCH

Manifold Circuit Actuator 8000, 8100 & 8200 Series

Condition in absence of voltage; NC - Normally Closed.
 Valve working stroke 0.10".
 Class II dust protection.
 Opening time at 77°F ≈ 6 minutes.
 Working ambient temperature: 23°F - 122°F.
 Storage ambient temperature: -4°F - 149°F.
 Fluid temperature: 23°F - 194°F.
 Mountable in any orientation.
 Valve position indicator on top of valve casing.
 Double insulated electric enclosure.
 Reliable thermo-electric operation.

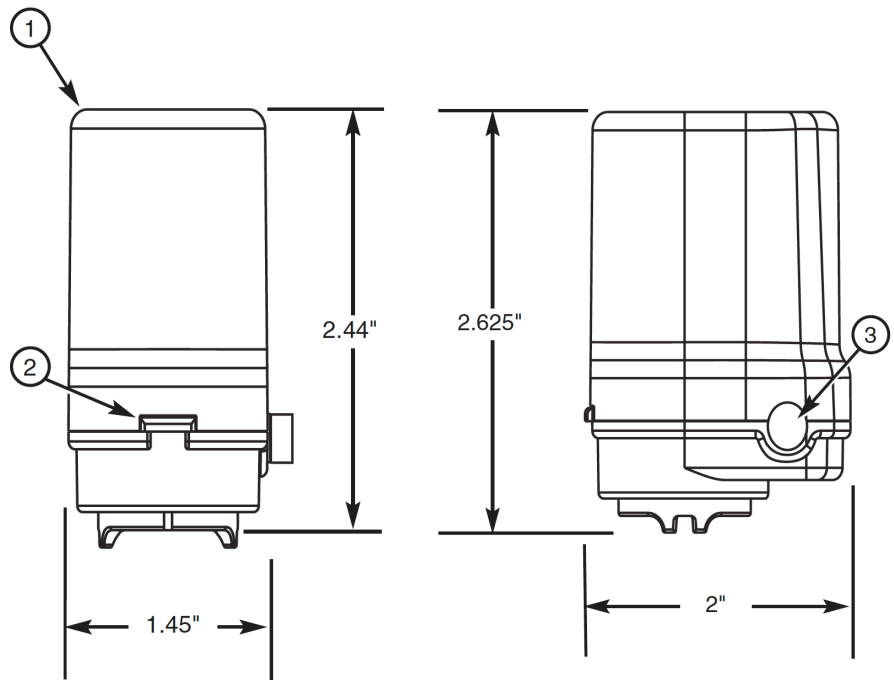


Pictured:
4-Wire Circuit Actuator

Technical Data:

Supply voltage: 24 VAC
 Max Inrush current: 0.2A (4.8VA) for 12 minutes max
 Operating current: 3.0W (3VA)
 Opening/Closing time: approx. 6 minutes @ 77°F
 End Switch:
 - Normally open (NO)
 - Max 1.5A, 240 VAC
 Wiring info:
 24 VAC - Brown & Blue wires
 End switch - Black & Gray wires

MATERIAL SPECIFICATION	
PART	MATERIAL
1 Casing	Flame retardant plastic
2 Valve release	Flame retardant plastic
3 Cable connection	Flame retardant plastic
4 Supply cable	4 wire 30" usable length



Pictured:
Circuit Actuator
(Cable not shown)