

SUBMITTAL SHEET

JOB NAME	ITEM TAG
JOB LOCATION	PART NUMBER
CONTRACTOR	DATE
ENGINEER APPROVAL	DATE

BALANCE VALVE

BLF-2

Durable forged brass body.

Can be used in hydronic heating and cooling systems.

Allows for gradual and precise control of flow in a hydronic system.

Graduated hand wheel scale.

Utilizes the "LegendConnect" system for a variety of connection sizes & types (sold separately).

Specifications:

Working temperature range: 40°-195°F - with flow meter
40°-230°F - without flow meter

Max working pressure: 90 psi - with flow meter
200 psi - without flow meter

Compatible fluids: Water and glycol mixtures
(max concentration of glycol 50%)

Flowrate range: 0-13 gpm

Connections:

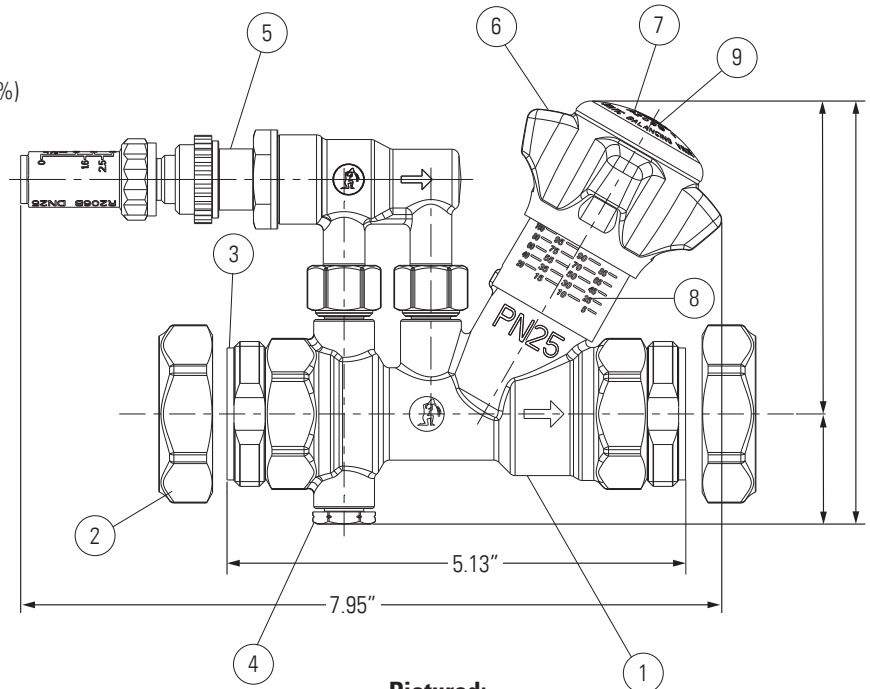
Via LegendConnect Fittings (sold separately)

3/4" - MNPT, FNPT, Sweat, Press, ISO Compression, ISO FNPT

1" - MNPT & Sweat



Pictured:
Balance Valve



Pictured:
Balance Valve
Dimensional

MATERIAL SPECIFICATION

PART	MATERIAL	SPECIFICATION
1 Valve body	Forged Brass	CW602N - UNS C35330
2 LegendConnect nut	Forged Brass	CW614N - UNS C38500
3 LegendConnect gasket	EPDM	Commercial Grade
4 Drain plug	Forged Brass	CW614N - UNS C38500
5 Flow meter assembly	Various materials	
6 Hand wheel	ABS	Commercial Grade
7 Removable cap	ABS	Commercial Grade
8 Balance scale	ABS	Commercial Grade
9 Limiting screw (under cap)	Zinc plated steel	Commercial Grade