

SUBMITTAL SHEET

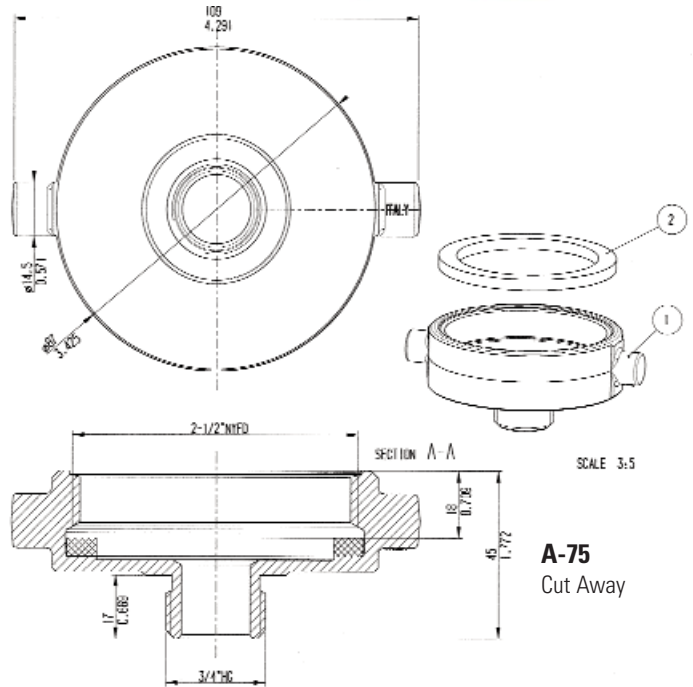
JOB NAME	ITEM TAG
JOB LOCATION	PART NUMBER
CONTRACTOR	DATE
ENGINEER APPROVAL	DATE

FEMALE X MALE BRASS HYDRANT ADAPTER

A-75

Forged brass construction
Full-pattern body, with double pin-lugs
Female NYFD thread pattern
Male garden hose

Working Pressures:
Working Pressure, Non-Shock (PSI)
Saturated Steam: not recommended for steam app.
CWP: refer to hose rating



MATERIAL SPECIFICATION		
PART	MATERIAL	SPECIFICATIONS
1 Body	Forged brass	ASTM B124 UNS C37700
2 Gasket	NBR Rubber	commercial grade Buna-N

DIMENSIONS – WEIGHTS				
Size (female x male):	L	H	D	Wt
2-1/2" NYFD x 3/4" HG	4.29	1.77	3.425	1.06 lb.

A-75
Cut Away